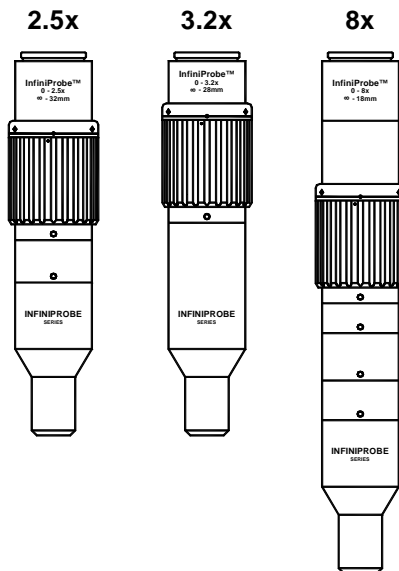


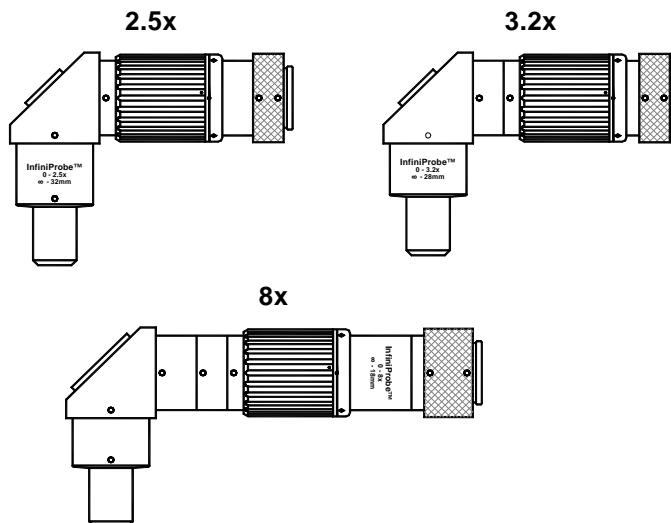
INFINIPROBE™ C-MOUNT SERIES

- S-25 N-25
- S-32 N-32
- S-80 N-80
- S-32 UV N-32 UV
- S-80 UV N-80 UV

S-SERIES



N-SERIES



InfiniProbe™ Series Continuously-focusable Video Microscopes

General Description. The InfiniProbe Series are video microscopes which can, depending on type, focus from infinity down to very close working distances. This means that the user can choose to focus on any object within these ranges to alter magnification, working distance and depth of field as naturally as the eye does in real life.

InfiniProbes are available in both S (Straight) and N (Ninety-degree) versions, for use either primarily for visible or UV lighting applications. All InfiniProbes are equipped for direct C-mount connection and can be used with sensors up to and including 2/3-in.

Optics Module. InfiniProbes are self-contained optics modules and should **never** be taken apart or reconfigured. All the potentials of continuously-focusable video microscopy are contained within the optics module itself. The use of additional extension tubes behind the optics module is not recommended and is more than likely detrimental to image quality.

DL and LDL Doubler tubes. Depending on intended use, the DL or LDL (rotatable and lockable onto camera) Doublers may be added. When InfiniProbes are so equipped, all functions remain as before except that magnification is doubled and field of view is halved.

Choosing the Magnification, Working Distance and Field of View. Once mounted on your camera, the InfiniProbe offers foolproof use. Simply by choosing any suitable working distance within the range of your specific InfiniProbe model (see the appropriate table) and turning the focus ring to acquire the focus, the InfiniProbe will provide an image without any further complications. At longer working distances, the InfiniProbe provides less magnification but greater depth of field and more field of view. At closer working distances, magnification is increased, depth of field is reduced and the field of view is less. These characteristics allow you to "key in" whatever you wish to see. When capturing images, remember that the InfiniProbe gathers the information from the object in such a way, that your camera may be the limitation to resolution. Consequently, do not hesitate to take the image at the lowest magnification with the greatest depth of field. You may then enlarge the image electronically and find it shows details better than anticipated. Detailed drawings and tables of characteristics for each InfiniProbe model follow these written instructions. The drawings and tables clearly show all the configurations possible, including the mounting possibilities and accessories.

Formats. All InfiniProbes can be used with all C-mount and CS-mount video cameras. If used with CS-mount cameras, a C5 Spacer should be added to compensate for the standard C-mount back focal distance. Each InfiniProbe covers all 2/3-in. and smaller-sensored cameras (1x to 4x amplification). The InfiniProbe series were not designed for 35mm (T2 mount) or special bayonet formats. For such use, our larger, more adaptable InfiniProbe TS-160 and InfiniVar GS optics are required.

Care and cleaning. Your InfiniProbe should be treated as the fine lens that it is. Care should be taken to keep dust and dirt off external lens surfaces. The unit can be cleaned (metal parts only) by a cloth moistened with alcohol. The external optical surfaces should be cleaned only when necessary, and then, only by a soft cotton swab moistened by an approved optical glass cleaner. If you have further questions, please contact Infinity Photo-Optical Company or your authorized dealer.

InfiniProbe S-25 and N-25 Video Microscope

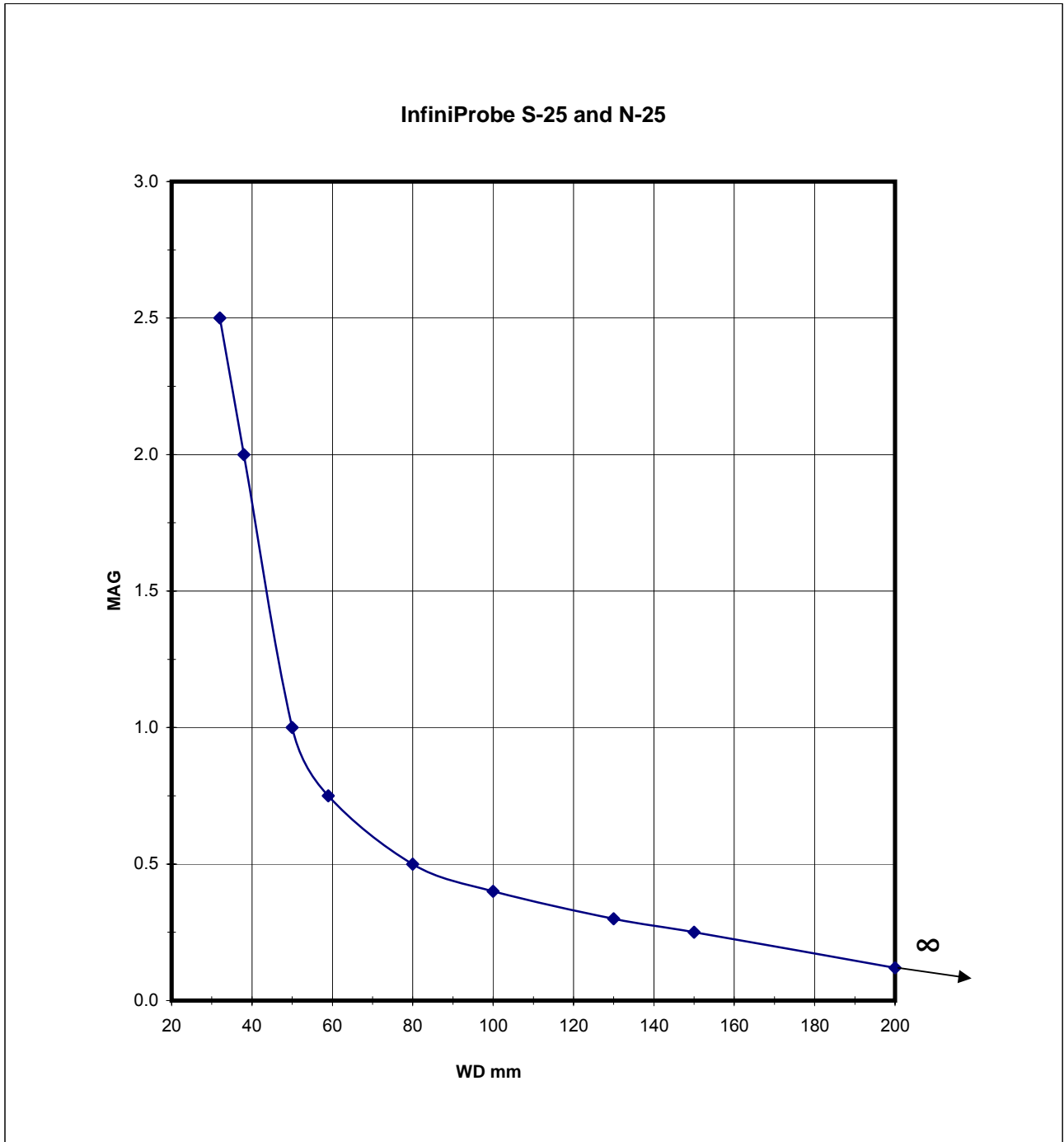
(Suitable for use with up to 2/3-in. sensors)

WD mm	32	38	50	59	80	100	130	150	200
Mag	2.5	2.0	1.0	0.75	0.5	0.4	0.3	0.25	0.12
FOV mm	2.56	3.2	6.4	8.5	12.8	16.0	21.3	25.6	53.3

*FOV based on 1/2-in. video format (6.4mm horizontally). See Video Format Page for all conversions.

For 2/3-in. sensors multiply FOV in chart by 1.375 for new 2/3-in. FOV.

For 1/3-in. sensors multiply FOV in chart by 0.75 for new 1/3-in. FOV.



InfiniProbe S-32 and N-32 Video Microscope

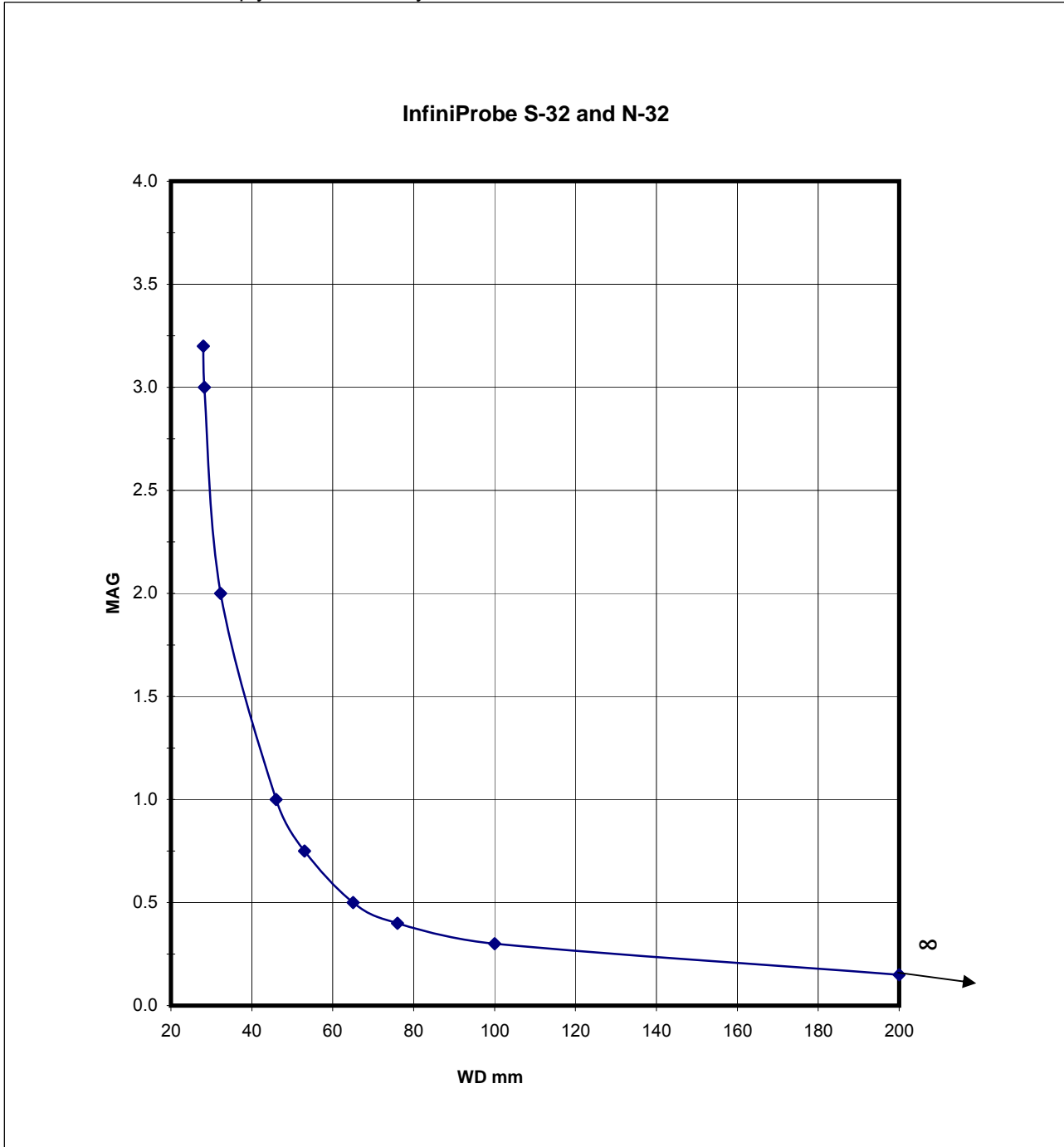
(Suitable for use with up to 2/3-in. sensors)

WD mm	28	28.25	32.3	46	53	65	76	100	200
Mag	3.2	3.0	2.0	1.0	0.75	0.5	0.4	0.3	0.15
FOV mm	2.0	2.1	3.2	6.4	8.5	12.8	16.0	21.3	42.7

*FOV based on 1/2-in. video format (6.4mm horizontally). See Video Format Page for all conversions.

For 2/3-in. sensors multiply FOV in chart by 1.375 for new 2/3-in. FOV.

For 1/3-in. sensors multiply FOV in chart by 0.75 for new 1/3-in. FOV.



InfiniProbe S-80 and N-80 Video Microscope

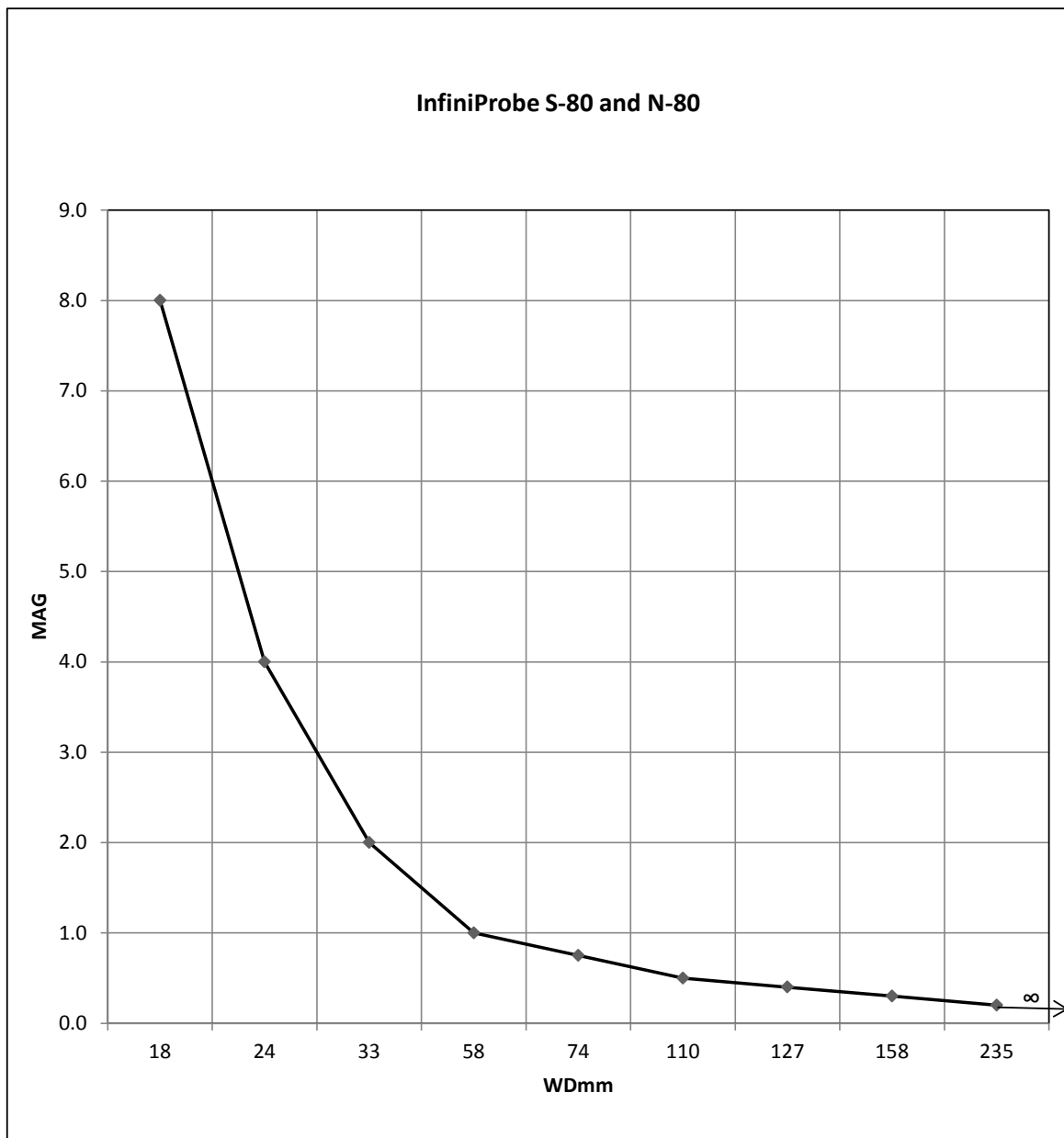
(Suitable for use with up to 2/3-in. sensors)

WD mm	18	24	33	58	74	110	127	158	235
Mag	8.0	4.0	2.0	1.0	0.75	0.5	0.4	0.3	0.2
FOV mm	0.8	1.6	3.2	6.4	8.5	12.8	16.0	21.3	32.0

*FOV based on 1/2-in. video format (6.4mm horizontally). See Video Format Page for all conversions.

For 2/3-in. sensors multiply FOV in chart by 1.375 for new 2/3-in. FOV.

For 1/3-in. sensors multiply FOV in chart by 0.75 for new 1/3-in. FOV.



InfiniProbe S-80 UV and N-80 UV Video Microscope

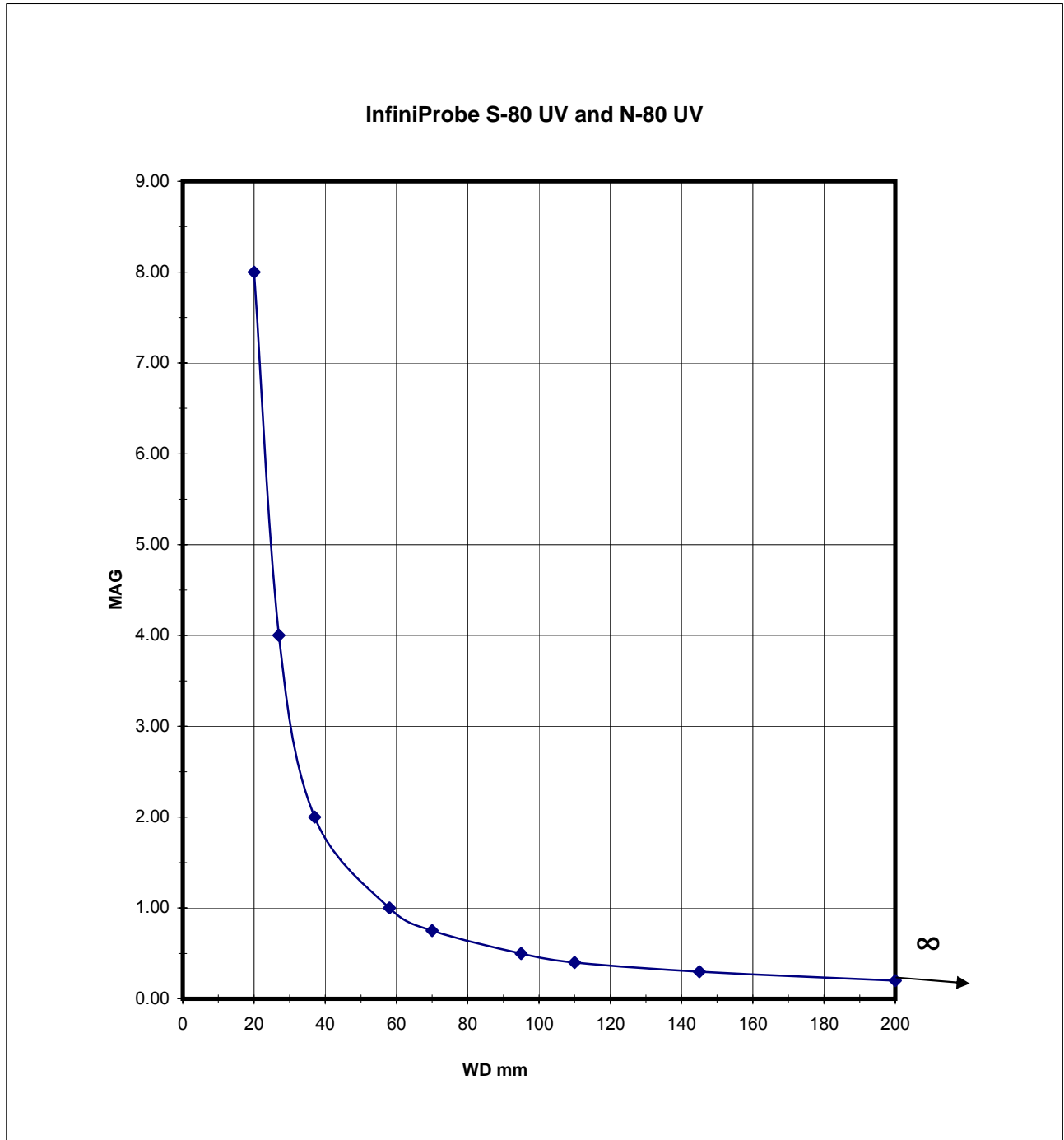
(Suitable for use with up to 2/3-in. sensors)

WD mm	20	27	37	58	70	95	110	145	200
Mag	8.00	4.00	2.00	1.00	0.75	0.50	0.40	0.30	0.20
FOV mm	0.8	1.6	3.2	6.4	8.5	12.8	16	21.3	32

*FOV based on 1/2-in. video format (6.4mm horizontally). See Video Format Page for all conversions.

For 2/3-in. sensors multiply FOV in chart by 1.375 for new 2/3-in. FOV.

For 1/3-in. sensors multiply FOV in chart by 0.75 for new 1/3-in. FOV.



Video Formats

Format	Factor	
1/4"	0.5	
1/3"	0.75	
1/2"	1.0	
2/3"	1.375	
1"	2.0	

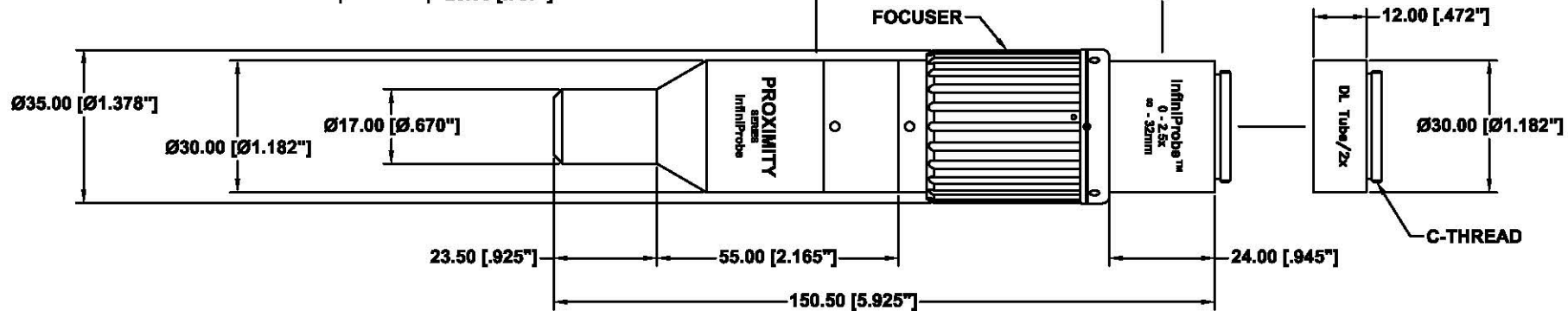
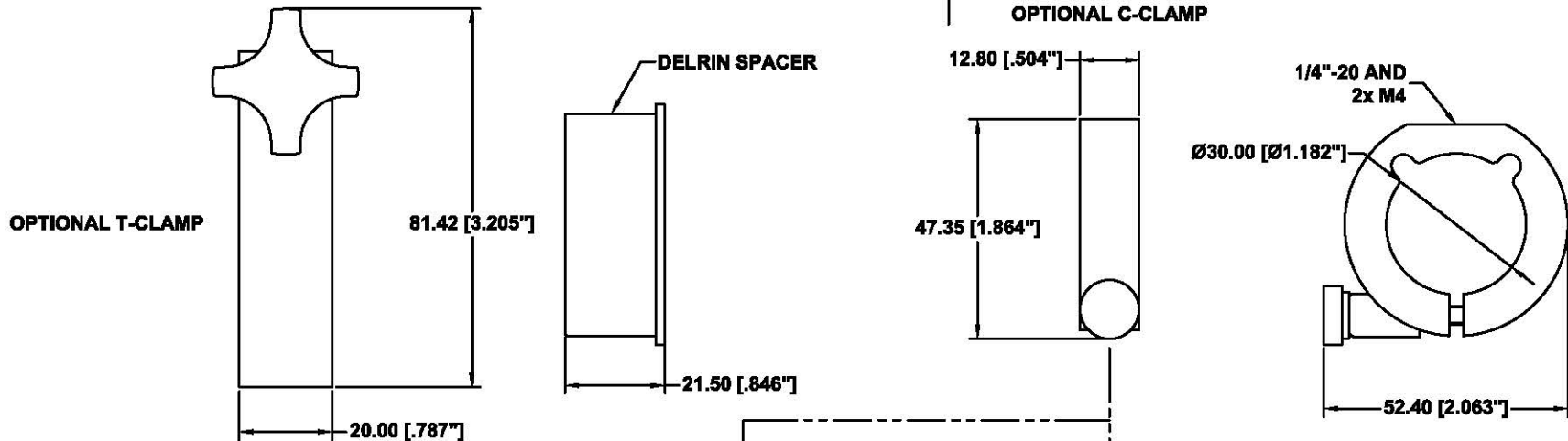
Unless otherwise noted all data is given for 1/2" camera sensors. For FOV or magnification in other sensor sizes use the factors listed. For example, a FOV of 25mm listed for a 1/3" camera would be $25 \times 0.75 = 18.75\text{mm}$.

NOTE:

1. THE C-CLAMP CAN BE REPLACED BY THE DELRIN SPACER AND T-CLAMP.

REVISIONS				
ZONE	REV	DESCRIPTION	DATE	APPROVED

OPTIONAL C-CLAMP



This drawing is for informational purposes only.
No other rights or privileges are granted or implied.

ALL DIM ARE mm [Inches] AND ARE FOR REFERENCE ONLY AND ARE SUBJECT TO CHANGE.

INFINITY Photo-Optical Company
2530 Frontier Ave., Boulder, CO 80301
303/440-4544 Fax 303/440-4144

INFINIPROBE 2.5x

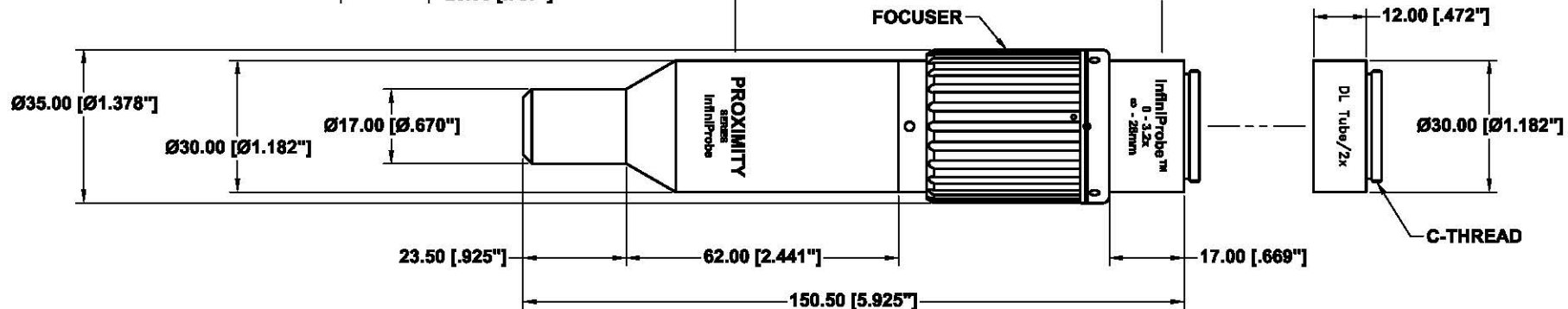
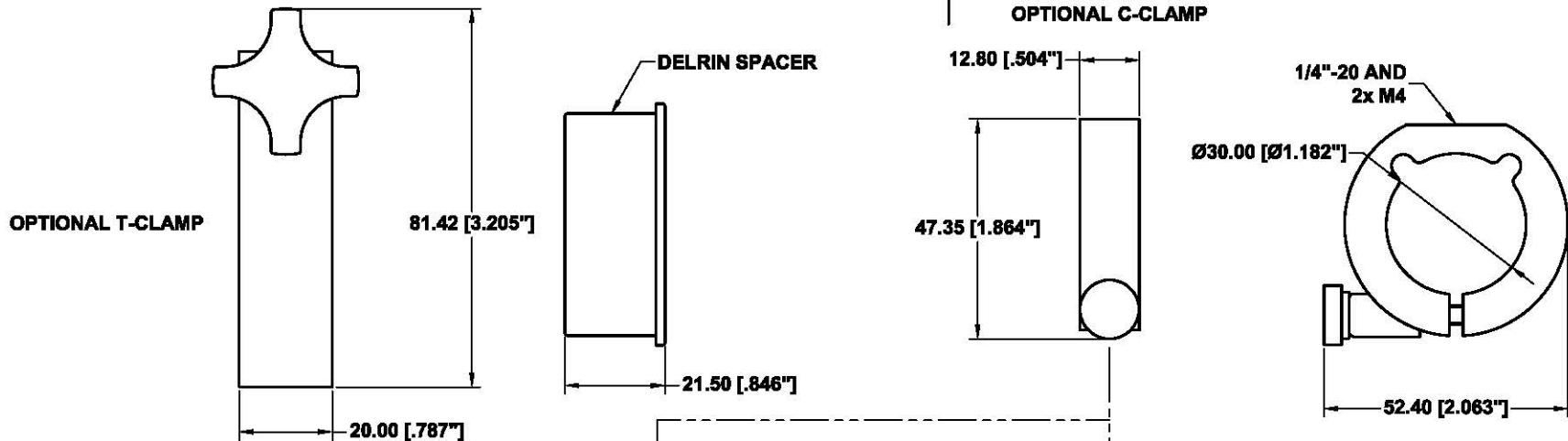
Date: 03/01/06 MB	SIZE B	FSCM NO.	DWG NO.	REV -
Modified:	SCALE NONE	-	SHEET 1 OF 1	

NOTE:

1. THE C-CLAMP CAN BE REPLACED BY THE DELRIN SPACER AND T-CLAMP.

REVISIONS				
ZONE	REV	DESCRIPTION	DATE	APPROVED

OPTIONAL C-CLAMP



This drawing is for informational purposes only.
No other rights or privileges are granted or implied.

ALL DIM ARE mm
[Inches] AND ARE FOR
REFERENCE ONLY AND
ARE SUBJECT TO
CHANGE.

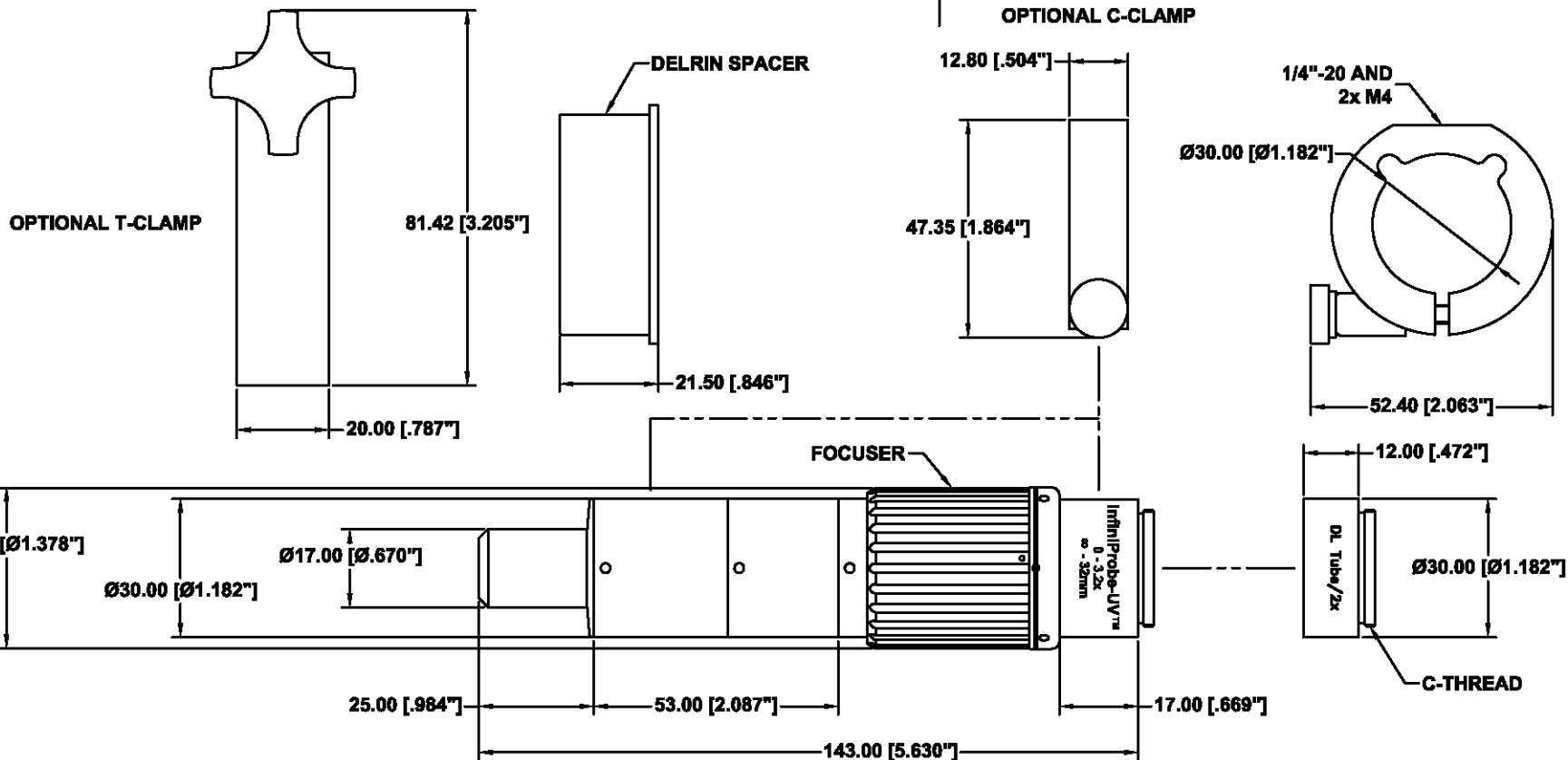
INFINITY Photo-Optical Company
2530 Frontier Ave., Boulder, CO 80301
303/440-4544 Fax 303/440-4144

INFINIPROBE 3.2x

Date: 03/01/06 MB	SIZE B	FSCM NO.	DWG NO.	REV -
Modified:	SCALE NONE	-	SHEET 1 OF 1	

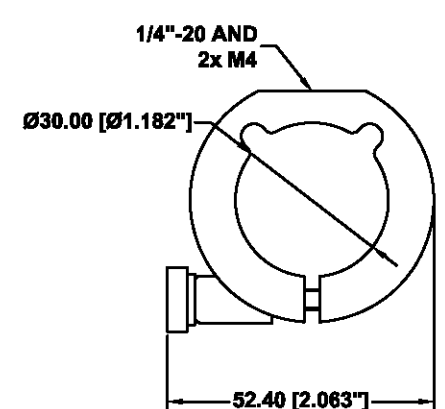
NOTE:

1. THE C-CLAMP CAN BE REPLACED BY THE DELRIN SPACER AND T-CLAMP.



REVISIONS				
ZONE	REV	DESCRIPTION	DATE	APPROVED

OPTIONAL C-CLAMP



ALL DIM ARE mm [Inches] AND ARE FOR REFERENCE ONLY AND ARE SUBJECT TO CHANGE.

INFINITY Photo-Optical Company
 2530 Frontier Ave., Boulder, CO 80301
 303/440-4544 Fax 303/440-4144

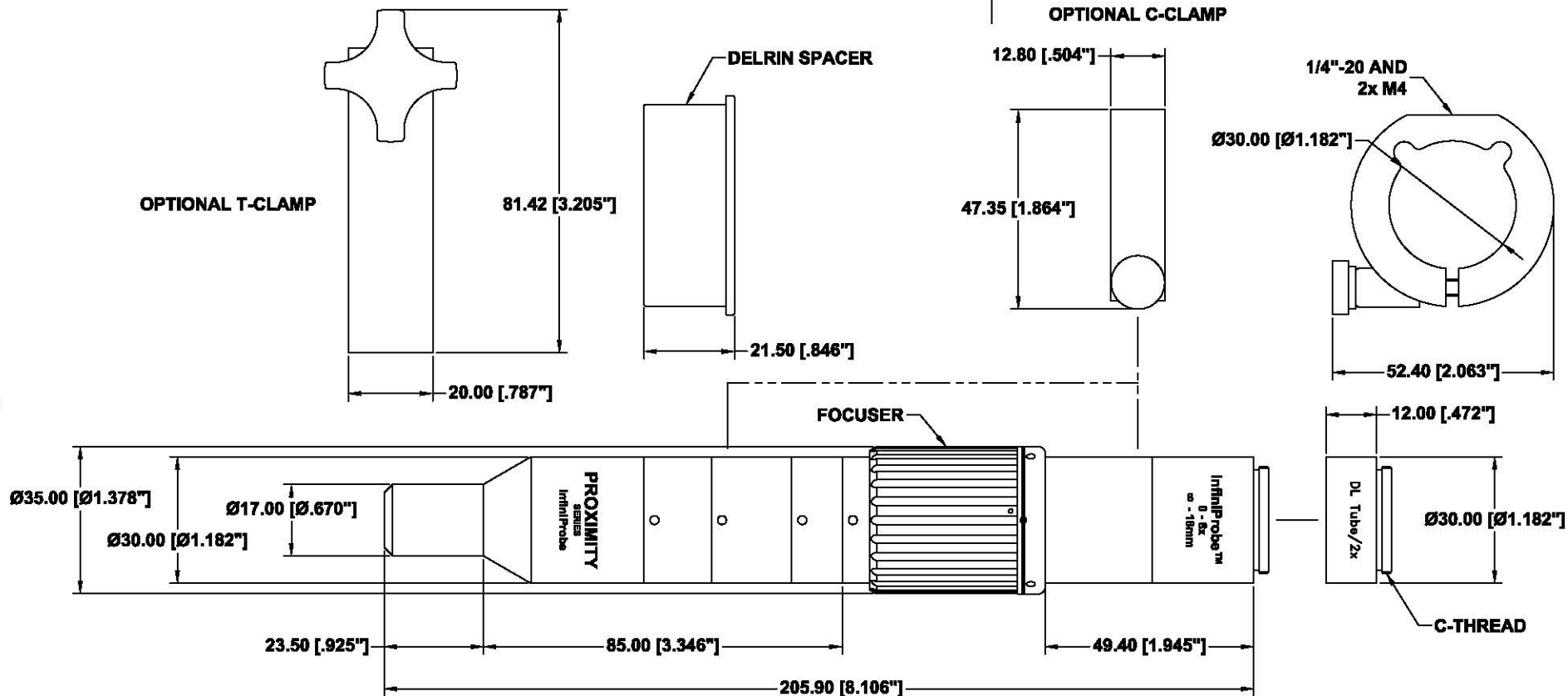
INFINIPROBE S-32 UV

Date: 05/15/08 MB	SIZE B	FSCM NO.	DWG NO. 490 294	REV -
Modified:	SCALE NONE	-	SHEET 1 OF 1	

This drawing is for informational purposes only. No other rights or privileges are granted or implied.

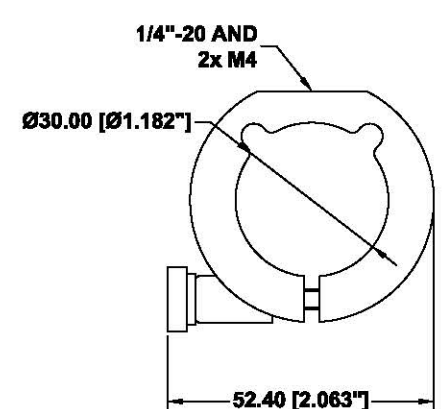
NOTE:

1. THE C-CLAMP CAN BE REPLACED BY THE DELRIN SPACER AND T-CLAMP.



REVISIONS				
ZONE	REV	DESCRIPTION	DATE	APPROVED

OPTIONAL C-CLAMP



ALL DIM ARE mm [Inches] AND ARE FOR REFERENCE ONLY AND ARE SUBJECT TO CHANGE.

INFINITY Photo-Optical Company
 2530 Frontier Ave., Boulder, CO 80301
 303/440-4544 Fax 303/440-4144

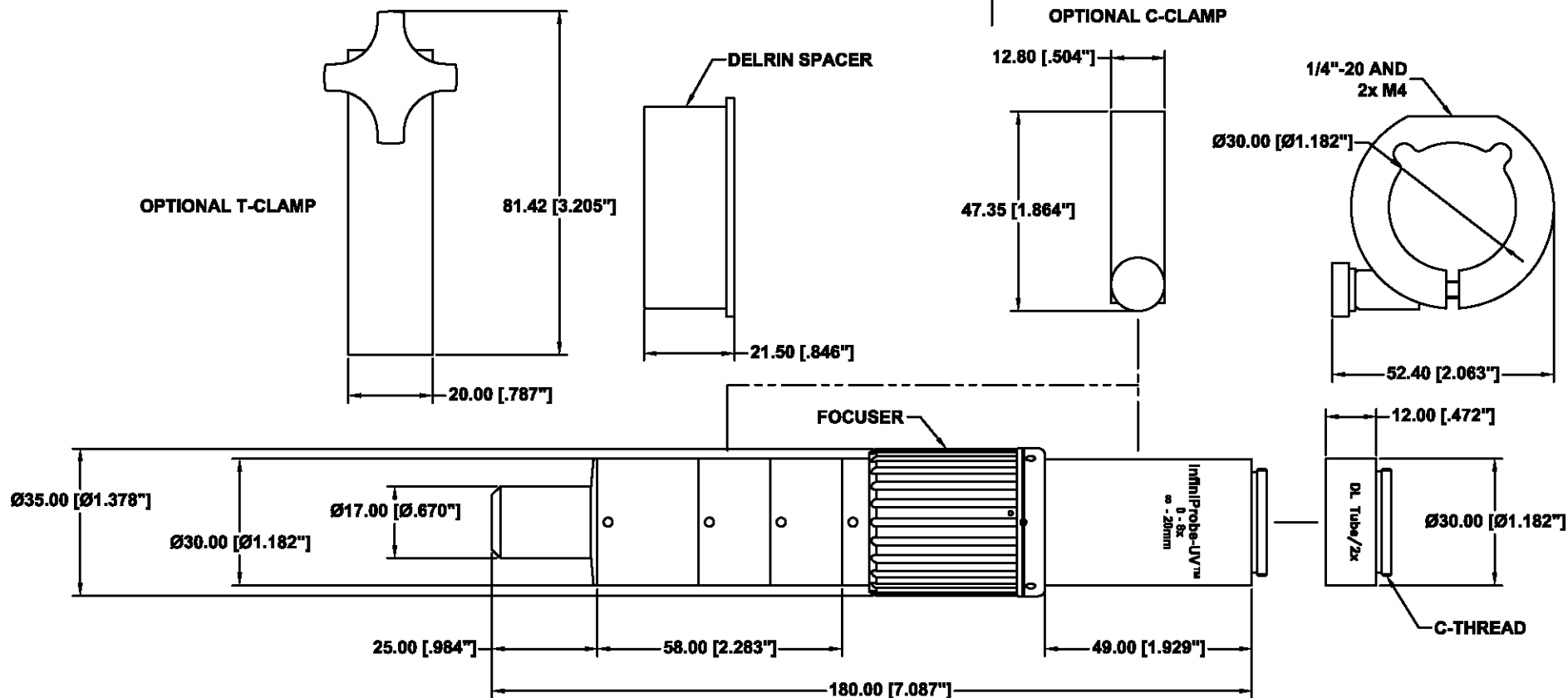
INFINIPROBE 8x

Date: 03/01/06 MB	SIZE B	FSCM NO.	DWG NO. -	REV A
Modified: 02/22/12 MB	SCALE NONE	-	SHEET 1 OF 1	

This drawing is for informational purposes only. No other rights or privileges are granted or implied.

NOTE:

1. THE C-CLAMP CAN BE REPLACED BY THE DELRIN SPACER AND T-CLAMP.



REVISIONS				
ZONE	REV	DESCRIPTION	DATE	APPROVED

OPTIONAL C-CLAMP

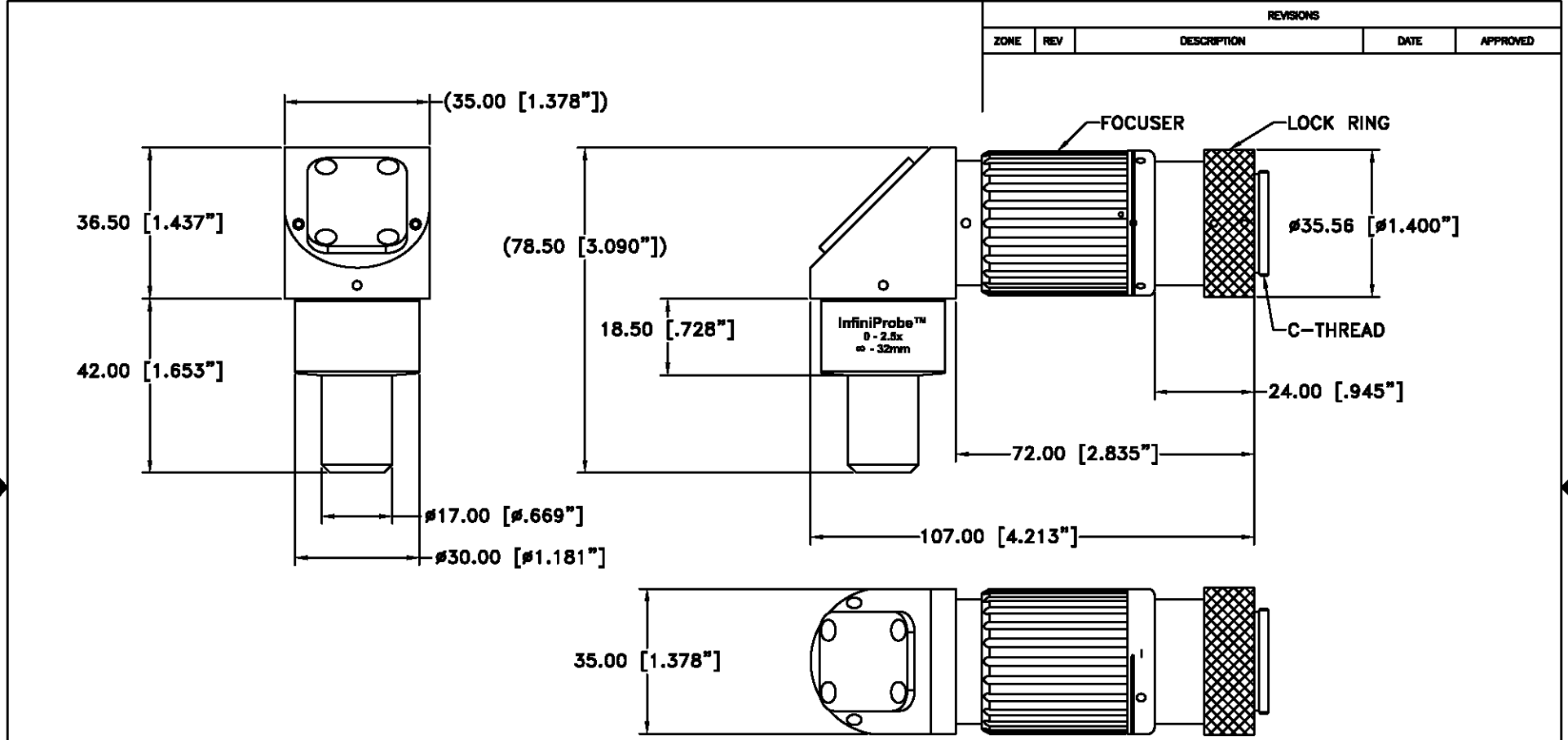
This drawing is for informational purposes only. No other rights or privileges are granted or implied.

ALL DIM ARE mm [Inches] AND ARE FOR REFERENCE ONLY AND ARE SUBJECT TO CHANGE.

INFINITY Photo-Optical Company
2530 Frontier Ave., Boulder, CO 80301
303/440-4544 Fax 303/440-4144

INFINIPROBE 8x UV

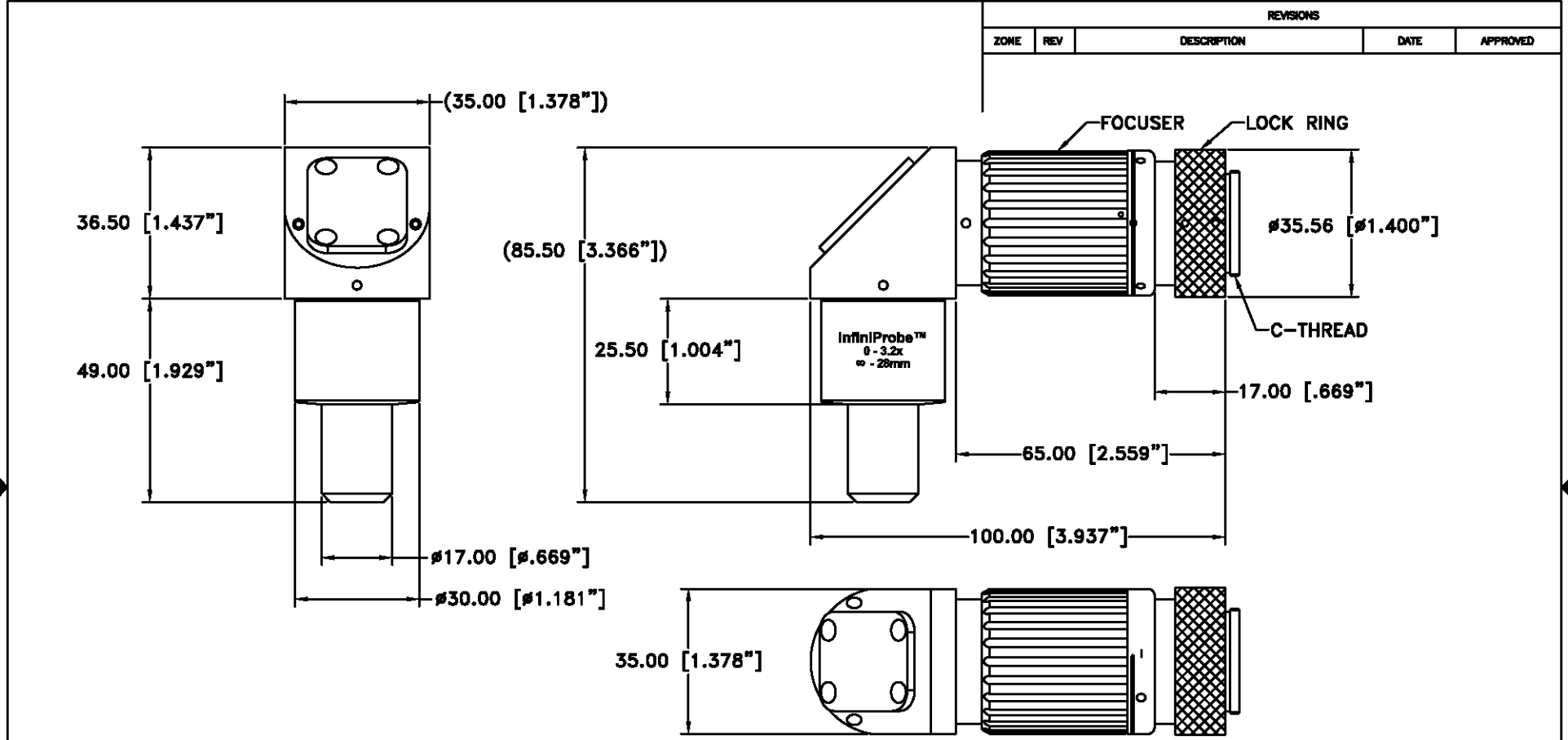
Date: 05/11/06 MB	SIZE B	FSCM NO.	DWG NO.	REV -
Modified:	SCALE NONE	-	SHEET 1 OF 1	



REVISIONS				
ZONE	REV	DESCRIPTION	DATE	APPROVED

This drawing is for informational purposes only.
No other rights or privileges are granted or implied.

ALL DIM ARE mm [Inches] AND ARE FOR REFERENCE ONLY AND ARE SUBJECT TO CHANGE.		 2530 Frontier Ave., Boulder, CO 80301 303/440-4544 Fax 303/440-4144		
90° INFINIPROBE 2.5x				
Date: 03/01/06 MB	SIZE B	FSCM NO.	DWG NO. -	REV B
Modified: 09/19/06 MB	SCALE NONE	-	SHEET 1 OF 1	



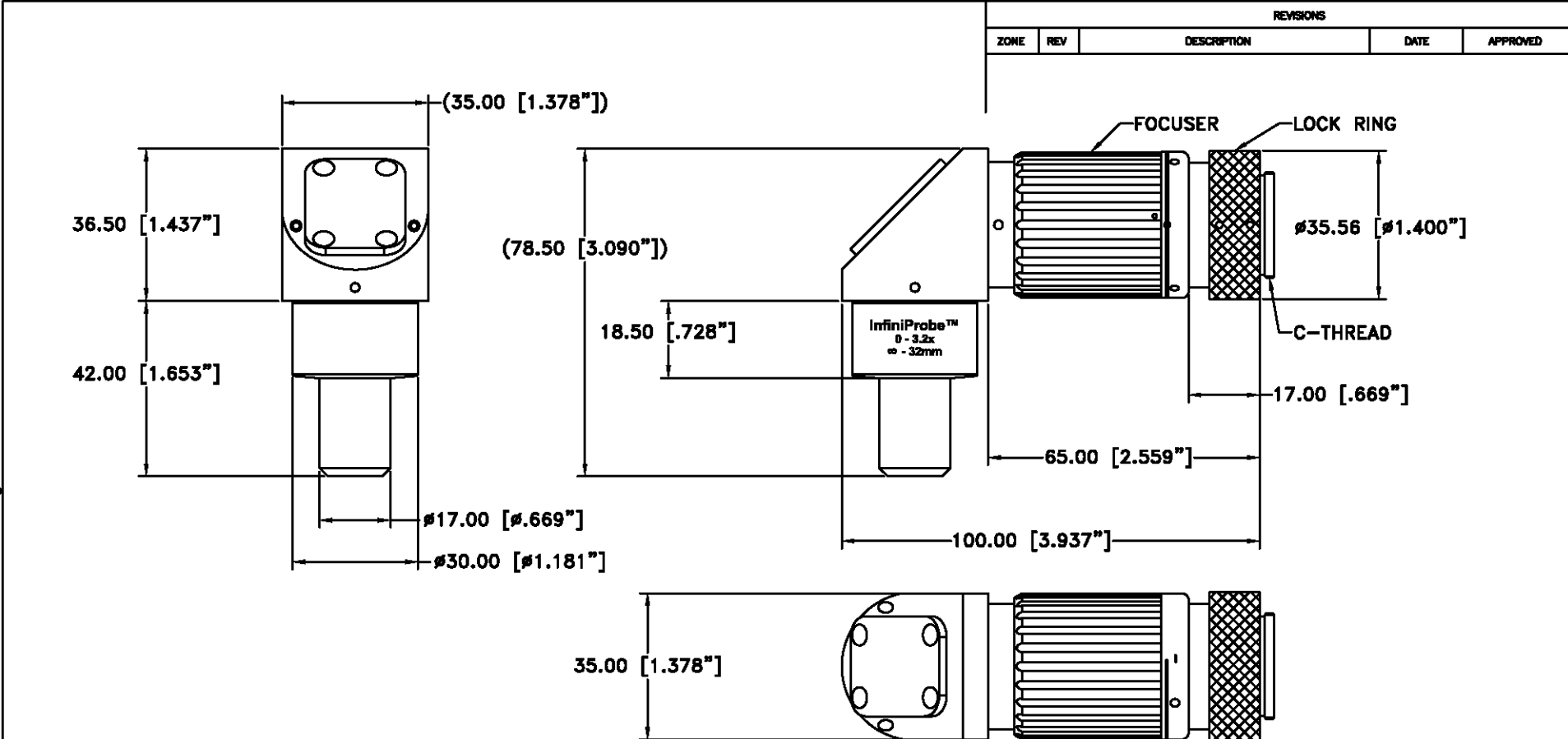
This drawing is for informational purposes only.
 No other rights or privileges are granted or implied.

ALL DIM ARE mm [Inches] AND ARE FOR REFERENCE ONLY AND ARE SUBJECT TO CHANGE.


INFINITY Photo-Optical Company
 2530 Frontier Ave., Boulder, CO 80301
 303/440-4544 Fax 303/440-4144

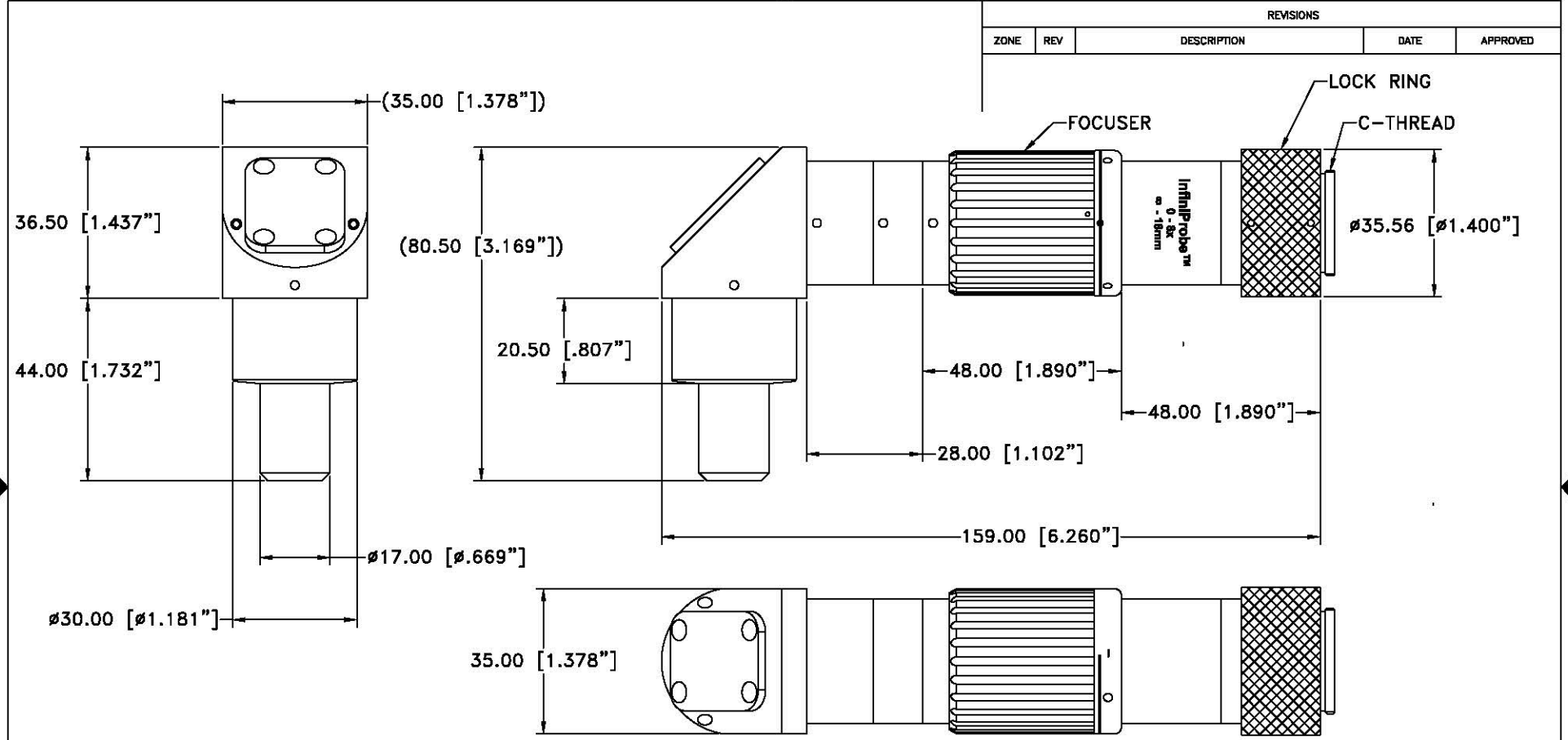
90° INFINIPROBE 3.2x

Date: 03/01/06 MB	SIZE B	FSCM NO.	DWG NO. -	REV C
Modified: 03/24/08 MB	SCALE NONE	-	SHEET 1 OF 1	



This drawing is for informational purposes only.
 No other rights or privileges are granted or implied.

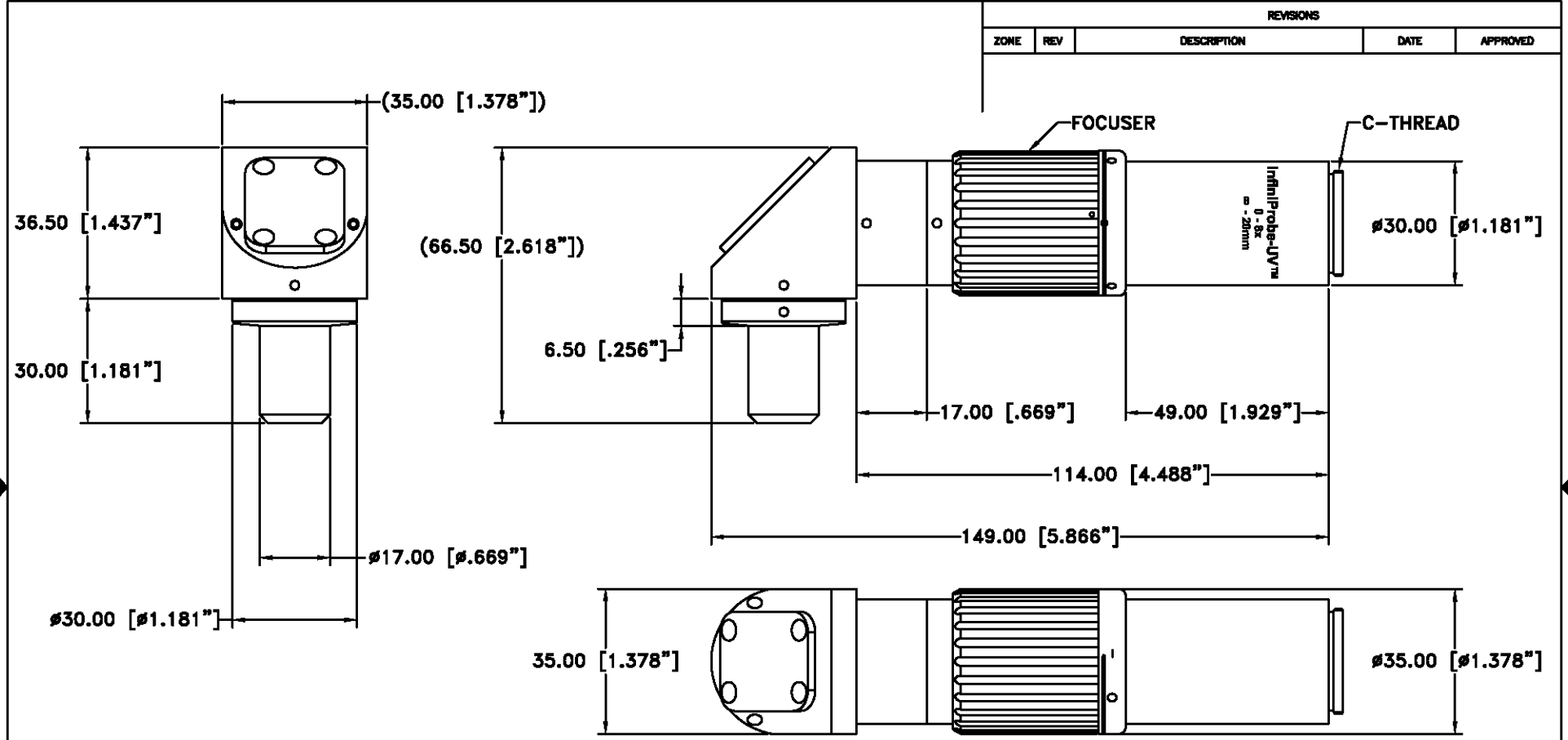
ALL DIM ARE mm [Inches] AND ARE FOR REFERENCE ONLY AND ARE SUBJECT TO CHANGE.		 INFINITY Photo-Optical Company 2530 Frontier Ave., Boulder, CO 80301 303/440-4544 Fax 303/440-4144		
Date: 05/20/08 MB		90° INFINIPROBE 3.2x UV		
Modified:	SIZE B	FSCM NO.	DWG NO. 490 294	REV -
	SCALE NONE	-	SHEET 1 OF 1	



REVISIONS				
ZONE	REV	DESCRIPTION	DATE	APPROVED

**This drawing is for informational purposes only.
No other rights or privileges are granted or implied.**

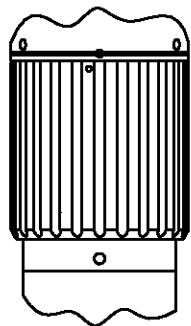
ALL DIM ARE mm [Inches] AND ARE FOR REFERENCE ONLY AND ARE SUBJECT TO CHANGE.		 2530 Frontier Ave., Boulder, CO 80301 303/440-4544 Fax 303/440-4144			
INFINIPROBE N-80					
Date: 03/01/06MB		SIZE B	FSCM NO. -	DWG NO. 490 116	REV B
Modified: 02/2212 MB		SCALE NONE	SHEET 1 OF 2		



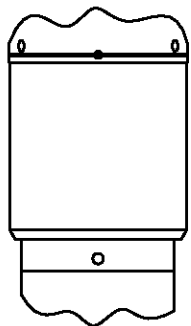
REVISIONS				
ZONE	REV	DESCRIPTION	DATE	APPROVED

This drawing is for informational purposes only.
 No other rights or privileges are granted or implied.

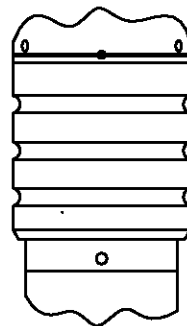
ALL DIM ARE mm [Inches] AND ARE FOR REFERENCE ONLY AND ARE SUBJECT TO CHANGE.		 2530 Frontier Ave., Boulder, CO 80301 303/440-4544 Fax 303/440-4144		
		90° INFINIPROBE 8x UV		
Date: 05/11/06 MB		SIZE B	FSCM NO. -	DWG NO. -
Modified: 05/24/07 MB		SCALE NONE	SHEET 1 OF 1	REV A



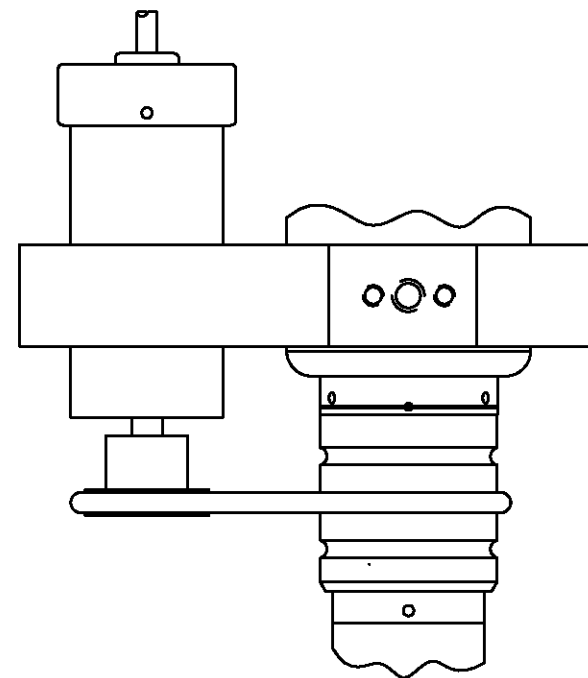
FOCUSER WITH
FLUTED GRIP



FOCUSER WITH
SMOOTH BARREL
FOR GEAR DRIVES



FOCUSER WITH
O-RING GROOVES



FOCUSER WITH
MOTOR DRIVE

REVISIONS				
ZONE	REV	DESCRIPTION	DATE	APPROVED

This drawing is for informational purposes only.
No other rights or privileges are granted or implied.

ALL DIM ARE mm
[Inches] AND ARE FOR
REFERENCE ONLY AND
ARE SUBJECT TO
CHANGE.

INFINITY Photo-Optical Company
2530 Frontier Ave., Boulder, CO 80301
303/440-4544 Fax 303/440-4144

FOCUSER CONFIGURATIONS

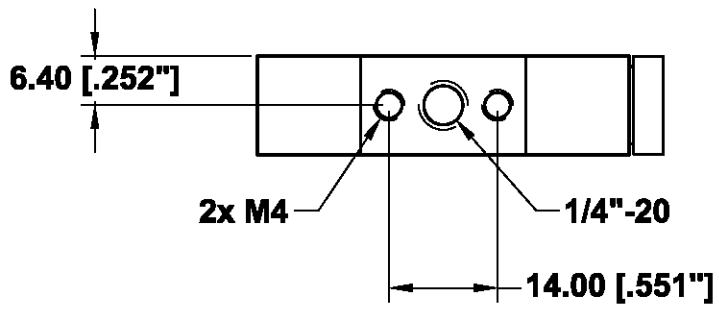
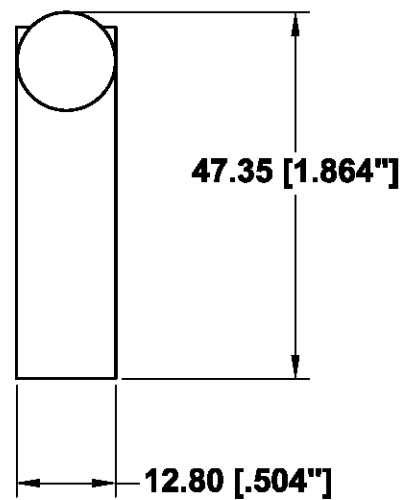
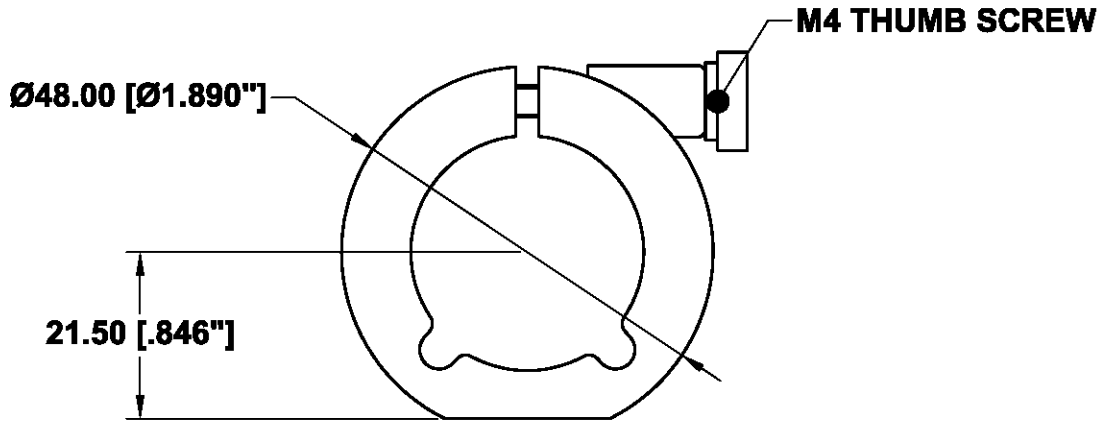
Date: 06/28/11 MB	SIZE B	FSCM NO.	DWG NO. -	REV -
Modified:	SCALE NONE	-	SHEET 1 OF 1	

Video Formats

Format	Factor	Diagram
1/4"	0.5	
1/3"	0.75	
1/2"	1.0	
2/3"	1.375	
1"	2.0	

Unless otherwise noted all data is given for 1/2" camera sensors. For FOV or magnification in other sensor sizes use the factors listed. For example, a FOV of 25mm listed for a 1/3" camera would be $25 \times 0.75 = 18.75\text{mm}$.

REVISIONS				
ZONE	REV	DESCRIPTION	DATE	APPROVED



This drawing is for informational purposes only. No other rights or privileges are granted or implied.

ALL DIM ARE mm [inches] AND ARE FOR REFERENCE ONLY AND ARE SUBJECT TO CHANGE.

INFINITY Photo-Optical Company
 2530 Frontier Ave., Boulder, CO 80301
 303/440-4544 Fax 303/440-4144

SMALL MOUNTING CLAMP

Date: 03/19/01 MB		SIZE A	FSCM NO.	DWG NO. 990 170	REV A
Modified: 04/06/01 MB		SCALE NONE	SHEET 1 of 1		

INFINITY PHOTO-OPTICAL COMPANY LIMITED WARRANTY

INFINITY PHOTO-OPTICAL COMPANY hereby warrants its products to be free from defects in workmanship or materials for the warranty period set forth below. INFINITY PHOTO-OPTICAL COMPANY, at its option, shall repair or replace the defective product without cost to the purchaser, and such repair or replacement shall be the full extent of this express limited warranty. INFINITY PHOTO-OPTICAL COMPANY shall not be liable for any other damages either direct or consequential.

This warranty is made to the original purchaser, and is effective only on new equipment purchased from INFINITY PHOTO-OPTICAL COMPANY, or a dealer authorized by INFINITY PHOTO-OPTICAL COMPANY to sell the product.

This warranty is valid only when the product is returned to the authorized dealer from whom it was purchased, or returned directly to INFINITY PHOTO-OPTICAL COMPANY, freight prepaid, with proof of date of purchase.

This warranty does not extend to any defect, malfunction or failure caused by misuse, abuse or the use of the product with equipment for which it may not have been intended. Any unauthorized repair voids this warranty.

The warranty period for all products manufactured by INFINITY PHOTO-OPTICAL COMPANY is five (5) years from date of original purchase. Parts or components made or sourced from other manufacturers shall be solely covered by that manufacturer's warranty.

The warranty contained herein is the only warranty made by INFINITY PHOTO-OPTICAL COMPANY. Any implied warranty of merchantability and/or fitness for a particular purpose is expressly excluded from this warranty. INFINITY PHOTO-OPTICAL COMPANY shall not be liable for any expense, loss, incidental or consequential damages which may arise in connection with the use of this equipment. Recovery under this warranty is limited to repair or replacement of the equipment as provided above.

INFINITY PHOTO-OPTICAL COMPANY reserves the right to modify designs, equipment and accessories without notice.