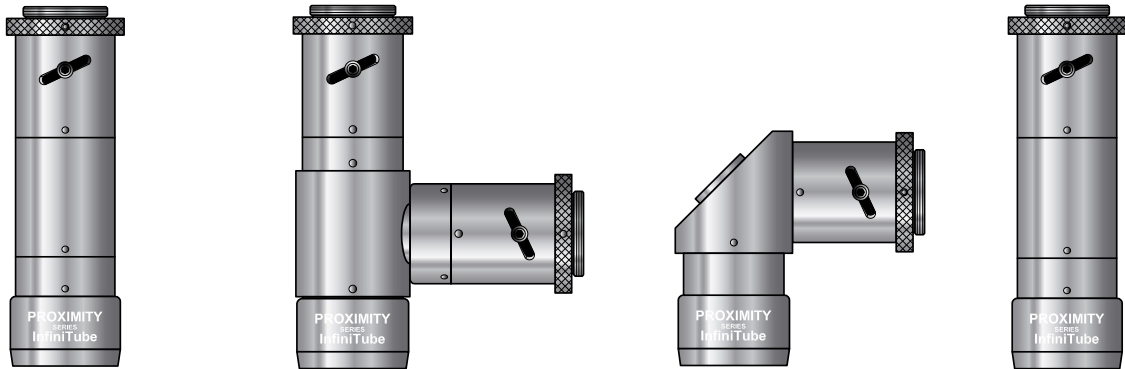


PROXIMITY SERIES: InfiniTube™ In-Line Assembly™ Standard Series



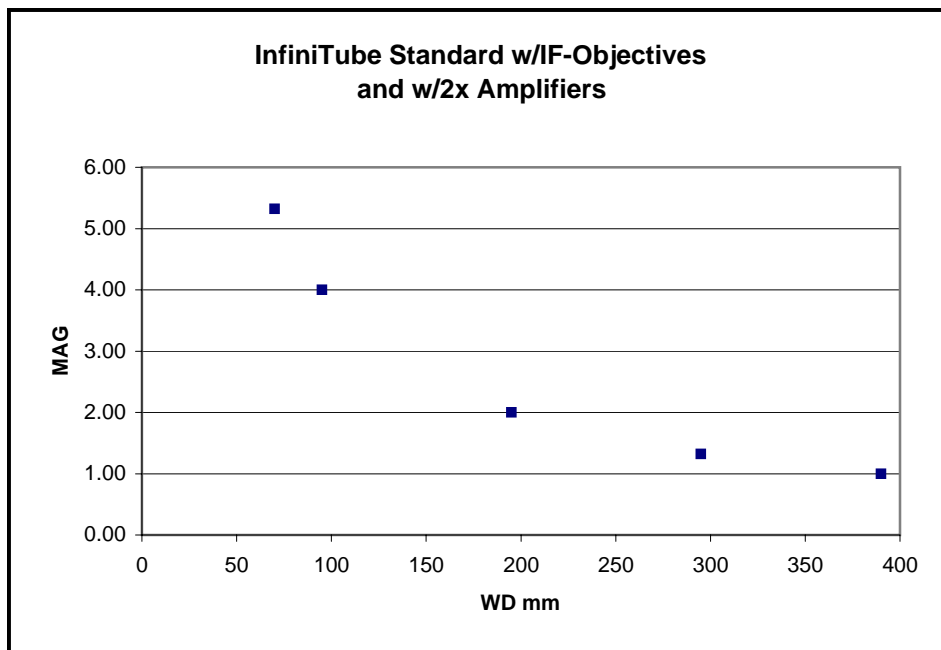
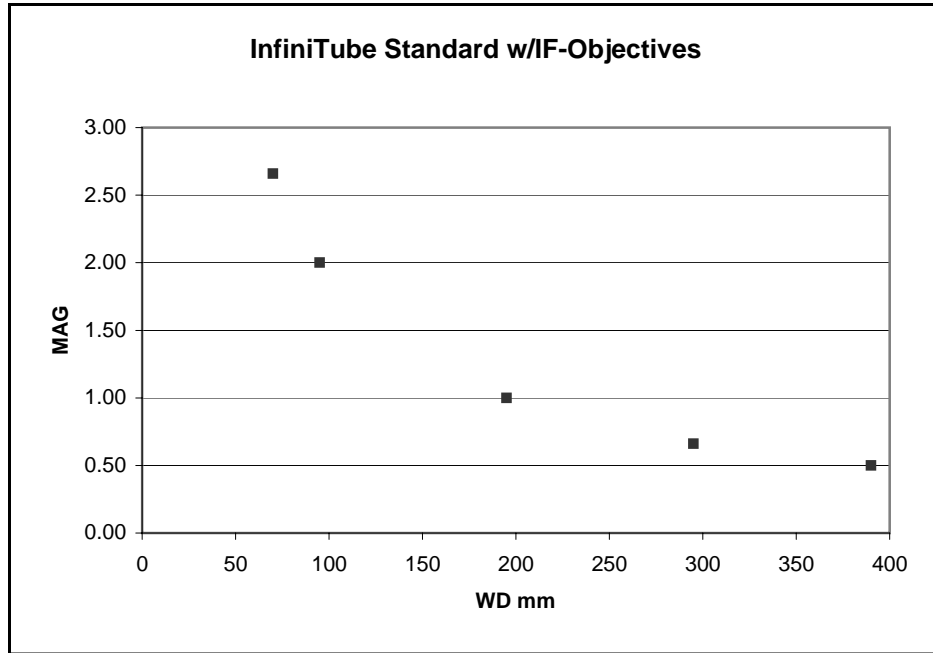
Video Formats

Format	Factor	Diagram
1/4"	0.5	
1/3"	0.75	
1/2"	1.0	
2/3"	1.375	
1"	2.0	

Unless otherwise noted all data is given for 1/2" camera sensors. For FOV or magnification in other sensor sizes use the factors listed. For example, a FOV of 25mm listed for a 1/3" camera would be $25 \times 0.75 = 18.75\text{mm}$.

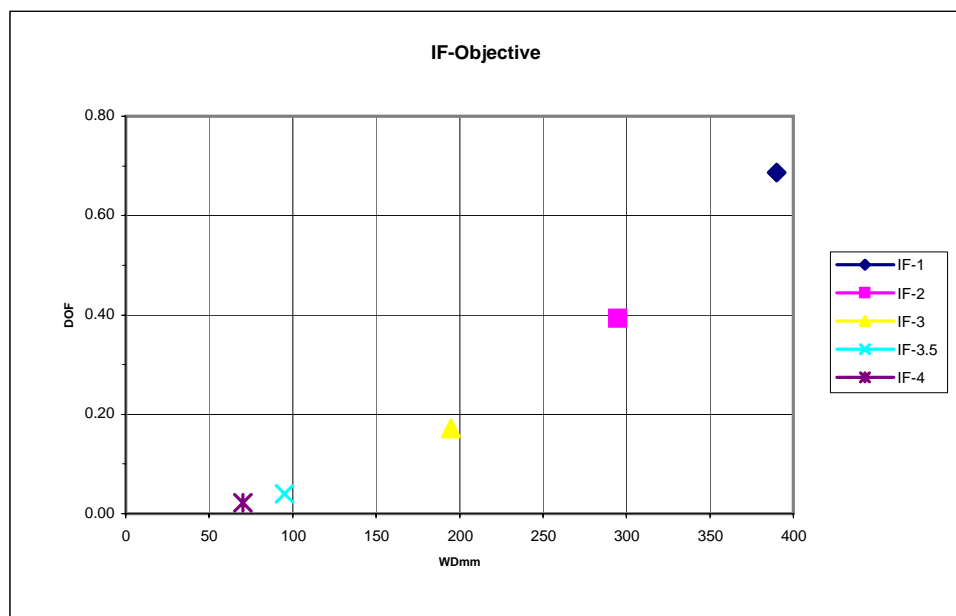
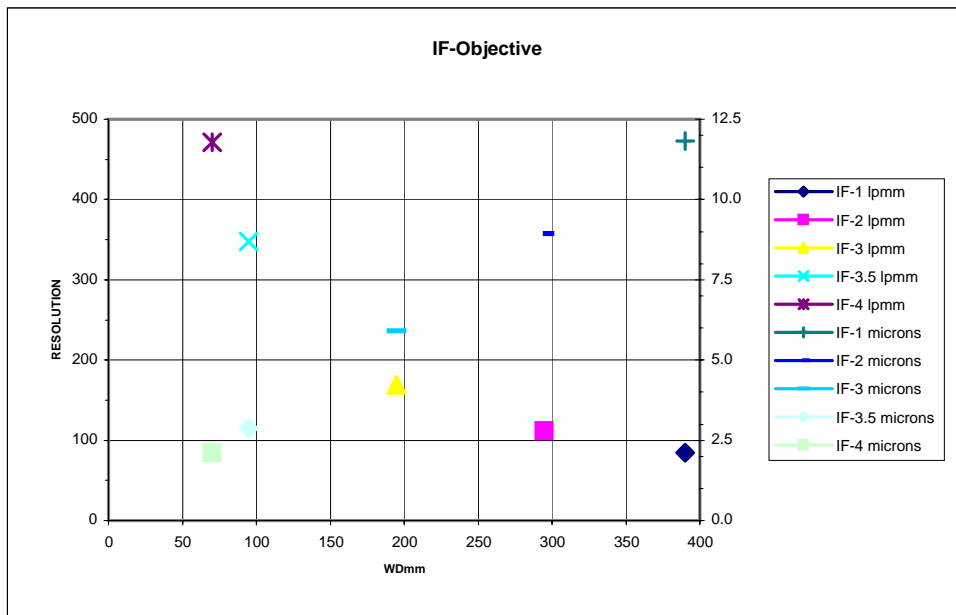
INFINITUBE STANDARD w/IF-OBJECTIVES

InfiniTube Standard		IF-1	IF-2	IF-3	IF-3.5	IF-4
Direct	WD mm	390	295	195	95	70
	Mag	0.50	0.66	1.00	2.00	2.66
	FOV 1/2"	12.80	9.70	6.40	3.20	2.41
	FOV 1/3"	9.60	7.27	4.80	2.40	1.80
2x Amplifier	WD mm	390	295	195	95	70
	Mag	1.00	1.32	2.00	4.00	5.32
	FOV 1/2"	6.40	4.85	3.20	1.60	1.20
	FOV 1/3"	4.80	3.64	2.40	1.20	0.90



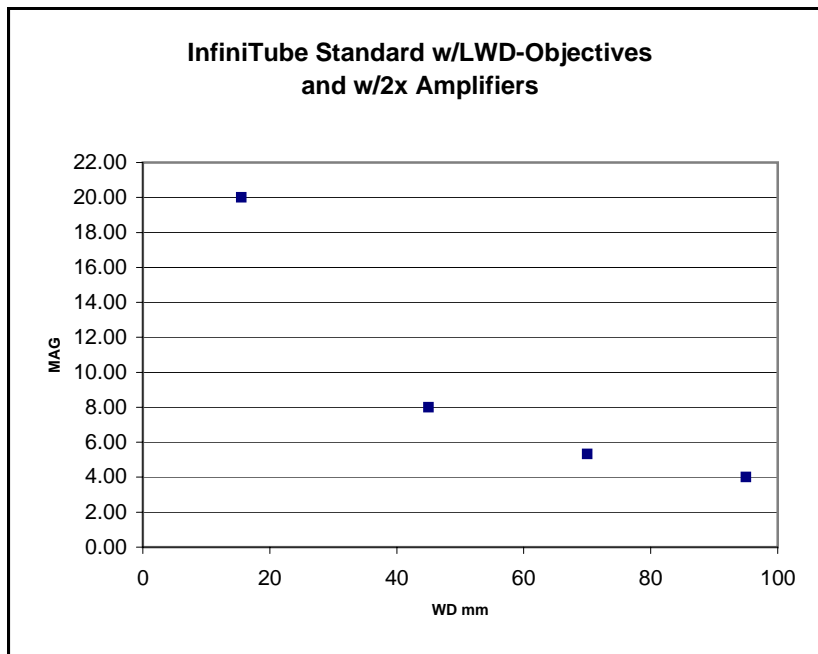
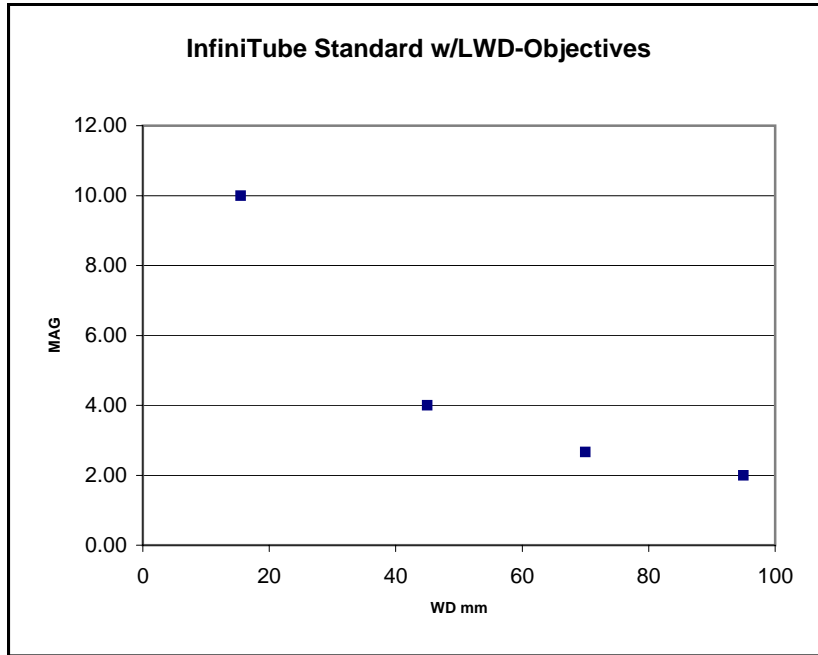
IF-Objective OPTICAL RESOLUTION DATA

IF-Objectives	IF-1	IF-2	IF-3	IF-4	IF-5
WDmm	390	295	195	95	70
MAG	0.50	0.66	1.00	2.00	2.66
NA	0.028	0.037	0.056	0.116	0.157
Resolution (lpmm)	85	112	169	347	471
Resolution (microns)	11.8	8.9	5.9	2.9	2.1
DOFmm	0.69	0.39	0.17	0.04	0.022



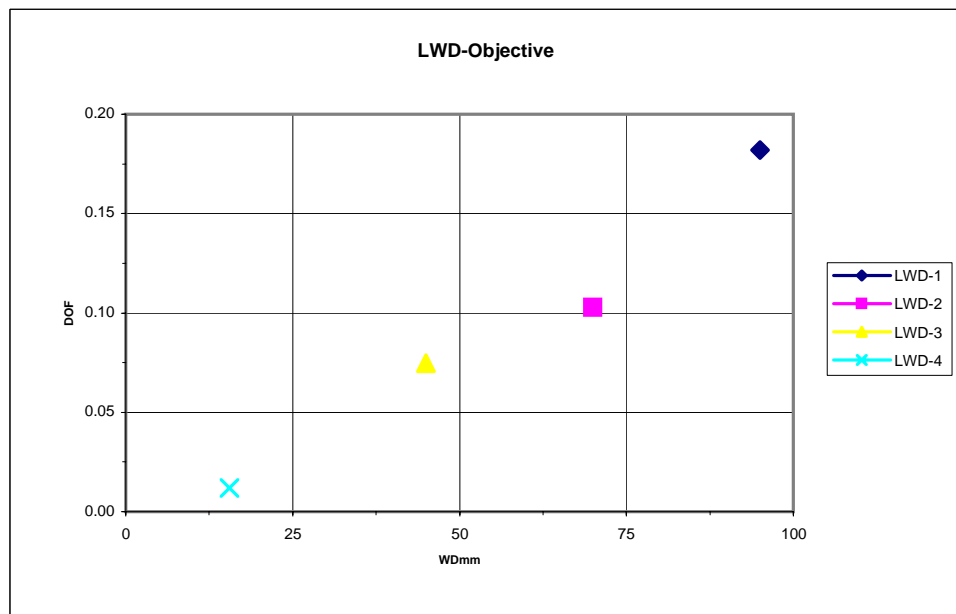
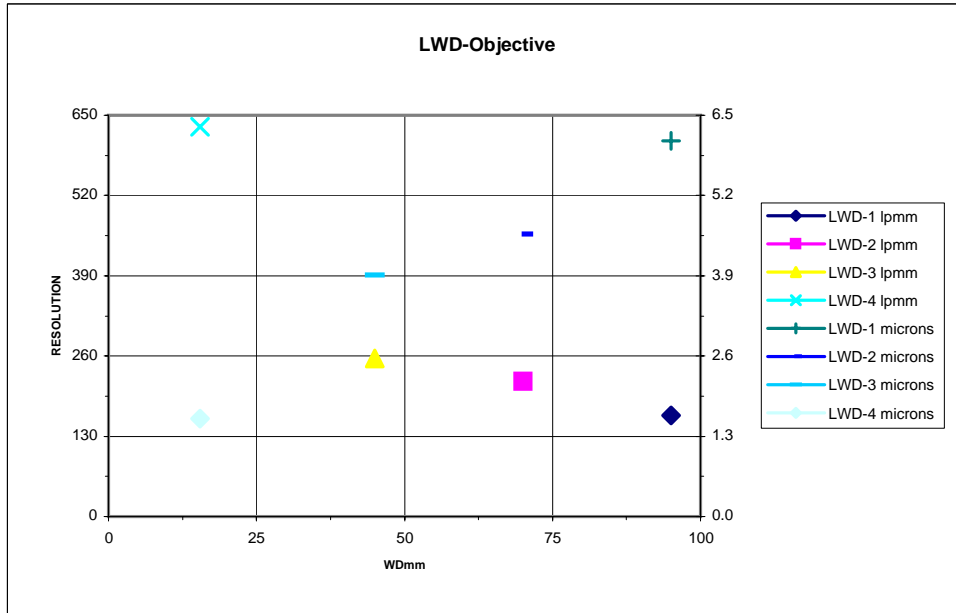
INFINITUBE STANDARD w/LWD-OBJECTIVES

InfiniTube Standard		LWD-1	LWD-2	LWD-3	LWD-4
Direct	WD mm	95	70	45	15.5
	Mag	2.00	2.66	4.00	10.00
	FOV 1/2"	3.20	2.41	1.60	0.64
	FOV 1/3"	2.40	1.80	1.20	0.48
2x Amplifier	WD mm	95	70	45	15.5
	Mag	4.00	5.32	8.00	20.00
	FOV 1/2"	1.60	1.20	0.80	0.32
	FOV 1/3"	1.20	0.90	0.60	0.24



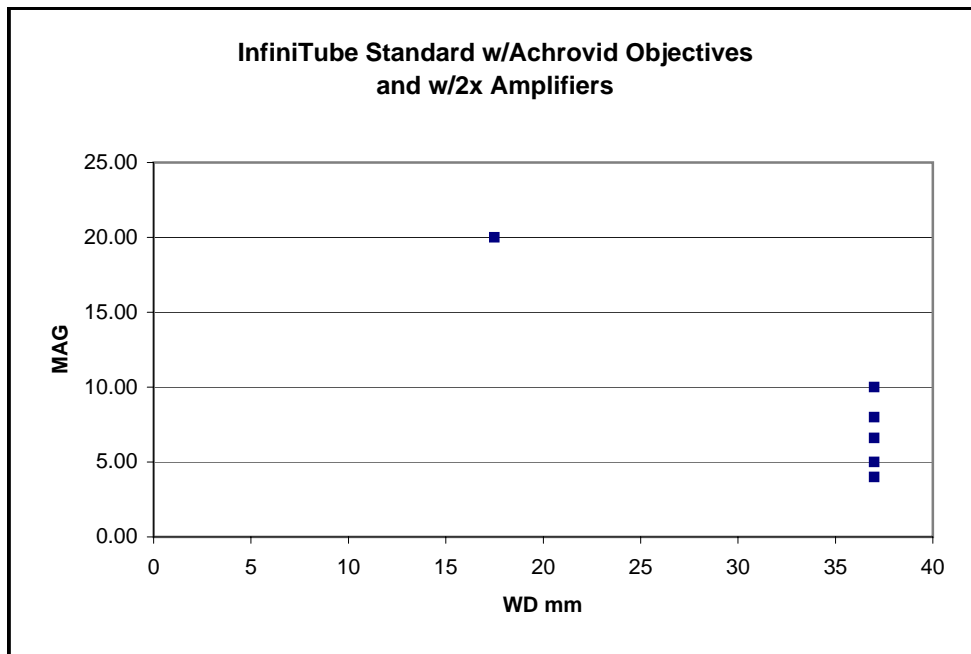
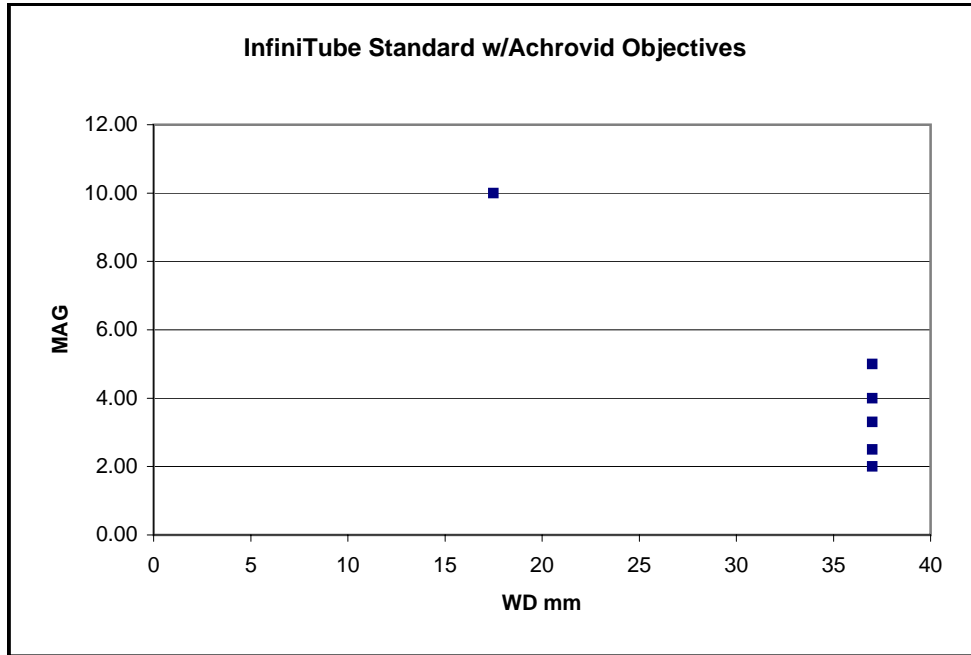
LWD-Objectives OPTICAL RESOLUTION DATA

LWD-Objectives	LWD-1	LWD-2	LWD-3	LWD-4
WDmm	95	70	45	15.5
MAG	2.00	2.66	4.00	10.00
NA	0.055	0.073	0.085	0.210
Resolution (lpmm)	164	219	256	631
Resolution (microns)	6.1	4.6	3.9	1.6
DOFmm	0.18	0.10	0.07	0.01



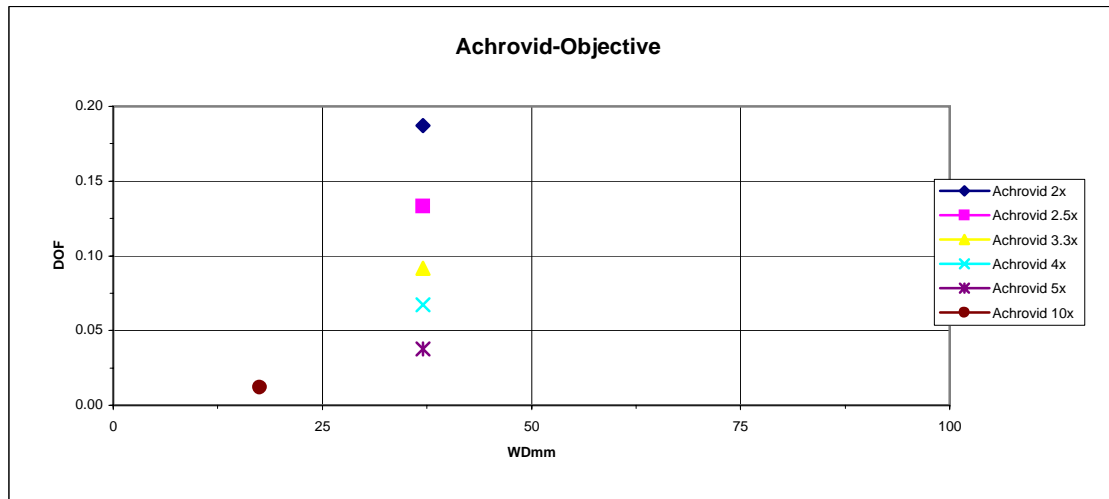
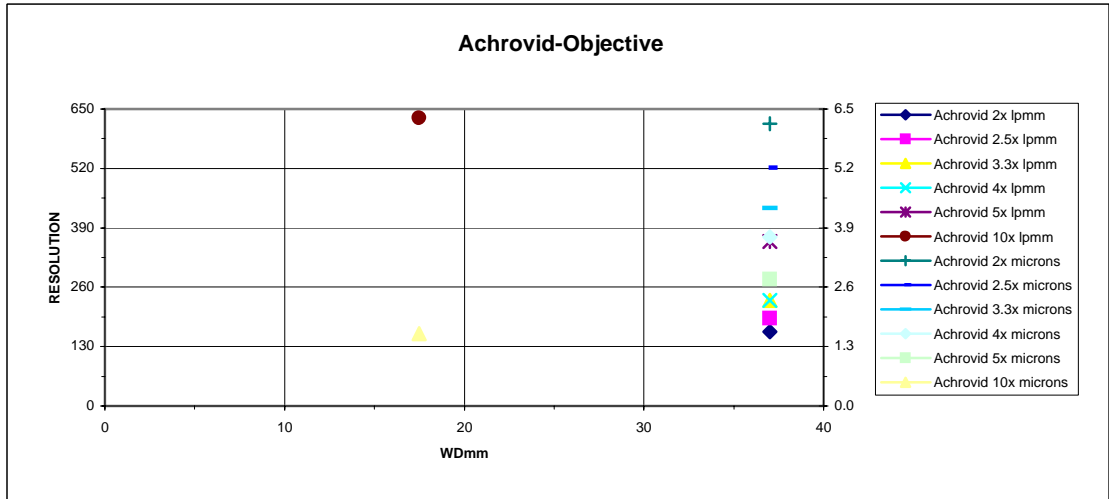
INFINTUBE STANDARD w/ACHROVID OBJECTIVES

InfiniTube Standard		Achrovid 2x	Achrovid 2.5x	Achrovid 3.3x	Achrovid 4x	Achrovid 5x	Achrovid 10x
Direct	WD mm	37	37	37	37	37	17.5
	Mag	2.00	2.50	3.30	4.00	5.00	10.00
	FOV 1/2"	3.20	2.56	1.94	1.60	1.28	0.64
	FOV 1/3"	2.40	1.92	1.45	1.20	0.96	0.48
2x Amplifier	WD mm	37	37	37	37	37	17.5
	Mag	4.00	5.00	6.60	8.00	10.00	20.00
	FOV 1/2"	1.60	1.28	0.97	0.80	0.64	0.32
	FOV 1/3"	1.20	0.96	0.73	0.60	0.48	0.24



Achrovid-Objectives OPTICAL RESOLUTION DATA

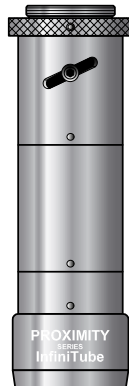
Achrovid-Objectives	2x	2.5x	3.3x	4x	5x	10x
WDmm	37	37	37	37	37	17.5
MAG	2.00	2.50	3.30	4.00	5.00	10.00
NA	0.054	0.064	0.077	0.09	0.12	0.21
Resolution (lpmm)	162	192	231	270	360	630
Resolution (microns)	6.2	5.2	4.3	3.7	2.8	1.6
DOFmm	0.19	0.13	0.09	0.07	0.04	0.01



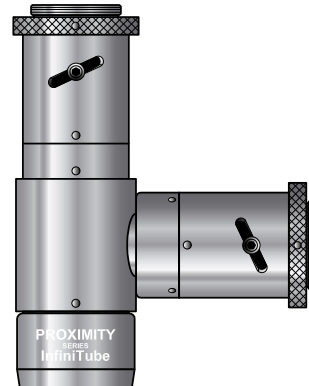
This drawing is for informational purposes only.
 No other rights or privileges are granted or implied.



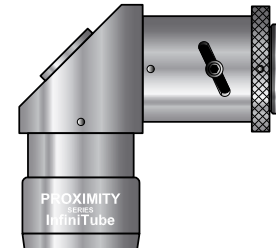
**InfinitiTube™
Standard 1x**




**InfinitiTube-Z™
1.25x**



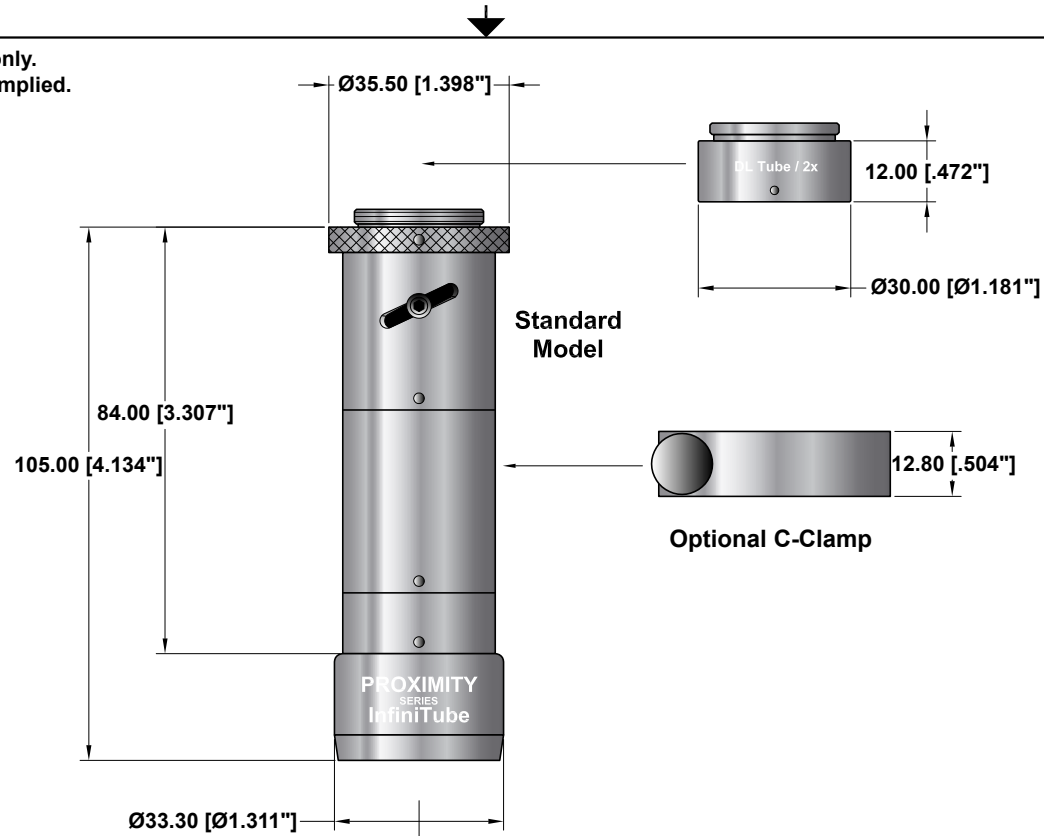
**InfinitiTube™
Dual-Port 1x**



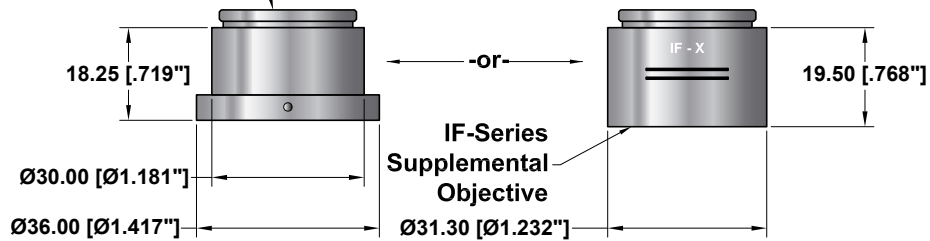
**InfinitiTube™
Right Angle**

ALL DIM ARE mm [inches] AND ARE FOR REFERENCE ONLY AND ARE SUBJECT TO CHANGE.		 INFINITY Photo-Optical Company 2530 Frontier Ave., Boulder, CO 80301 303/440-4544 Fax 303/440-4144		
		InfinitiTube™ Standard Types		
Date: 04/09/01 MB	SIZE B	FSCM NO.	DWG NO.	REV E
Modified: 05/12/05 JM	SCALE NONE		SHEET	1 of 1

This drawing is for informational purposes only.
No other rights or privileges are granted or implied.



Microscope Objective Adapter Achrovid/Mitutoyo and for RMS (eg., Olympus UIS, Mitutoyo or Nikon CF160)



ALL DIM ARE mm [inches] AND ARE FOR REFERENCE ONLY AND ARE SUBJECT TO CHANGE.

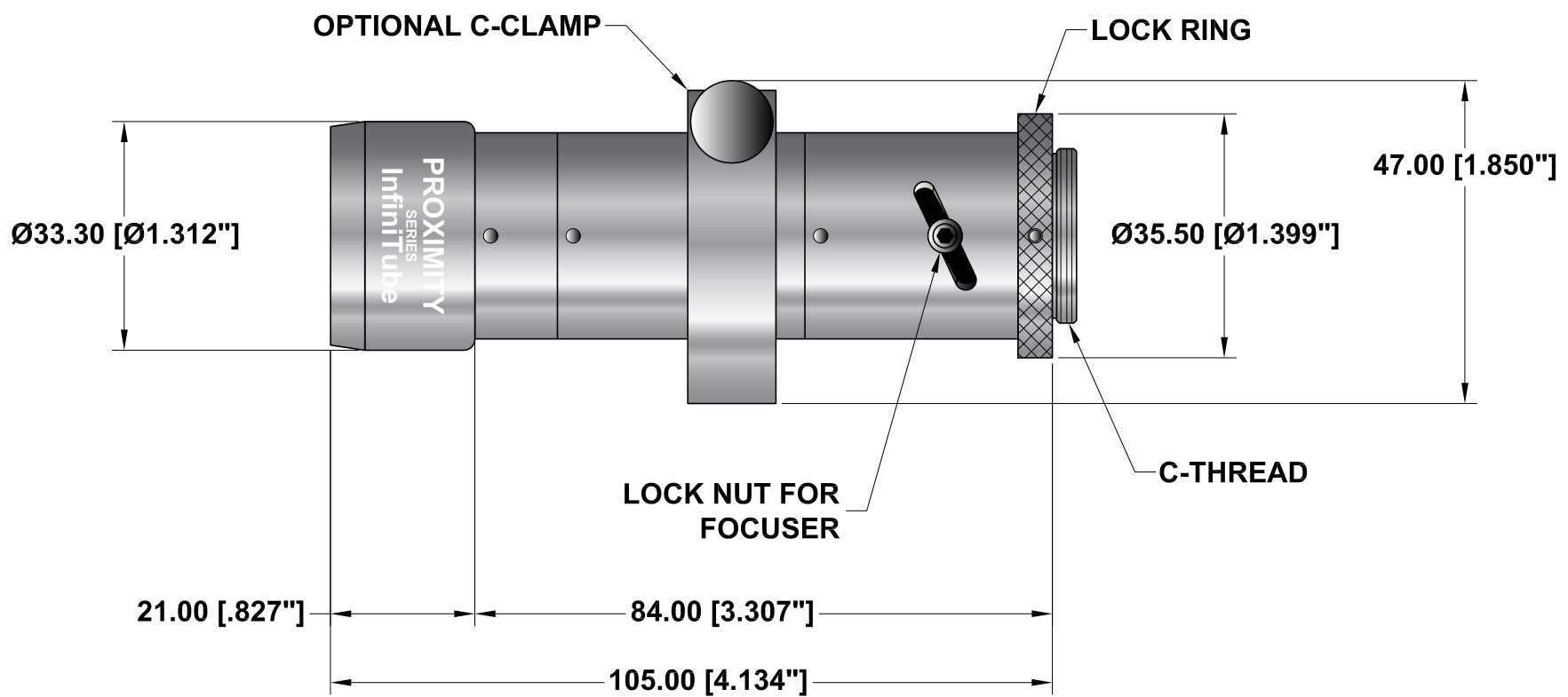
INFINITY Photo-Optical Company
2530 Frontier Ave., Boulder, CO 80301
303/440-4544 Fax 303/440-4144

InfiniTube Adapter Options

Date: 07/22/98	SIZE B	FSCM NO.	DWG NO.	REV F
Modified: 07/30/04 MB	SCALE NONE	SHEET 1 OF 1		

This drawing is for informational purposes only.
No other rights or privileges are granted or implied.

REVISIONS				
ZONE	REV	DESCRIPTION	DATE	APPROVED



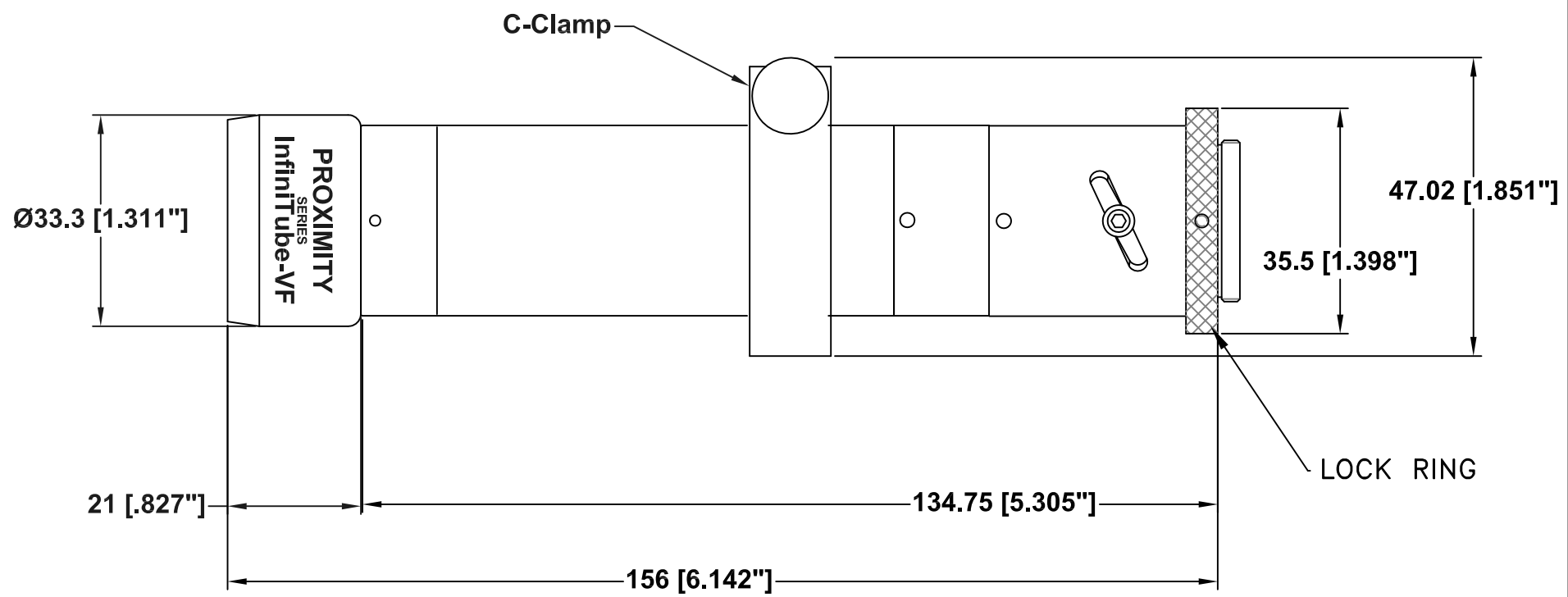
ALL DIM ARE mm
[inches] AND ARE FOR
REFERENCE ONLY AND
ARE SUBJECT TO
CHANGE.

INFINITY Photo-Optical Company
2530 Frontier Ave., Boulder, CO 80301
303/440-4544 Fax 303/440-4144

INFINITUBE™ STANDARD 1X

Date: 06/07/01 MB	SIZE A	FSCM NO.	DWG NO.	REV C
Modified: 07/27/04 MB	SCALE NONE	SHEET 1 OF 1		

REVISIONS				
ZONE	REV	DESCRIPTION	DATE	APPROVED



ALL DIM ARE mm
[inches] AND ARE FOR
REFERENCE ONLY AND
ARE SUBJECT TO
CHANGE.

INFINITY Photo-Optical Company
2530 Frontier Ave., Boulder, CO 80301
303/440-4544 Fax 303/440-4144

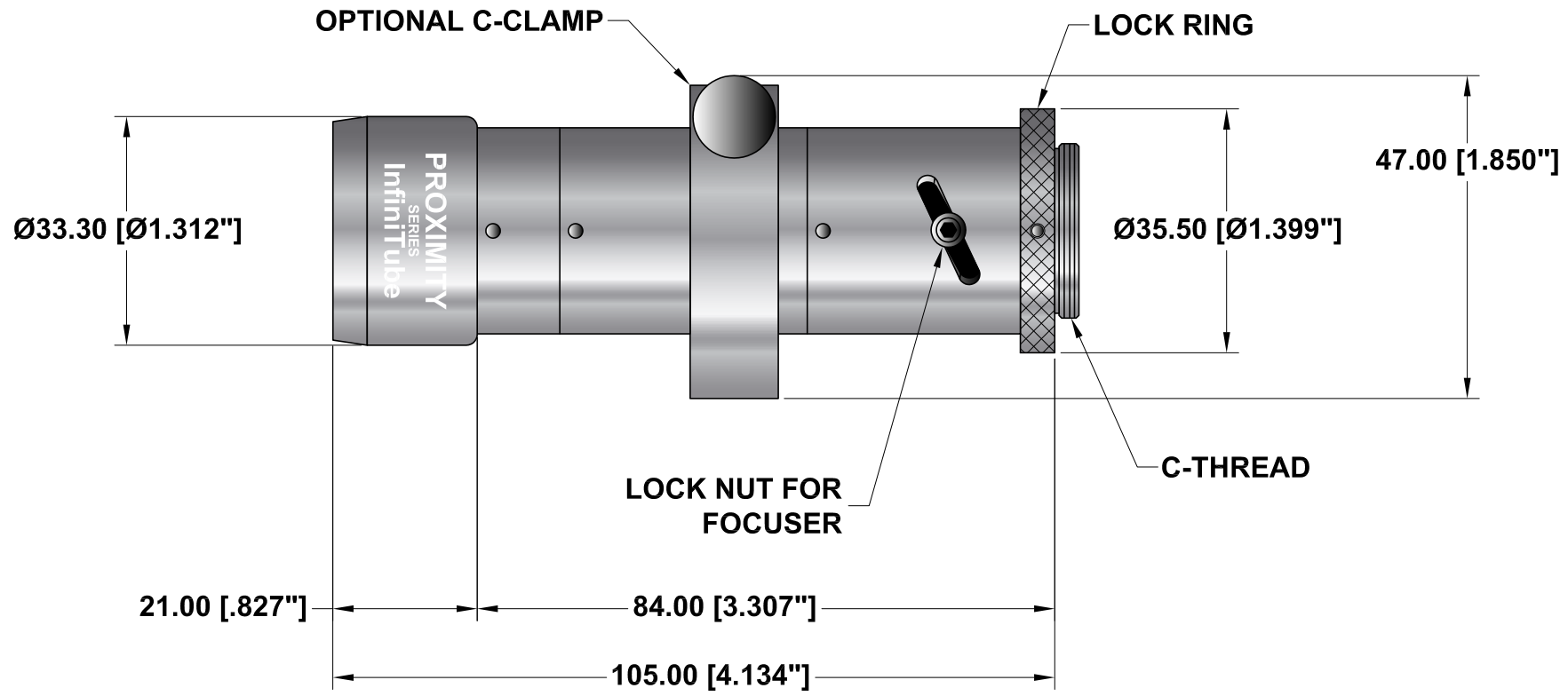
INFINITUBE™ STANDARD 1.5x

Date: 07/02/09
Modified:

SIZE A	FSCM NO.	DWG NO. 200215	REV -
SCALE NONE	SHEET 1 of 1		

This drawing is for informational purposes only.
No other rights or privileges are granted or implied.

REVISIONS				
ZONE	REV	DESCRIPTION	DATE	APPROVED



ALL DIM ARE mm [inches] AND ARE FOR REFERENCE ONLY AND ARE SUBJECT TO CHANGE.

Date: 06/07/01 MB

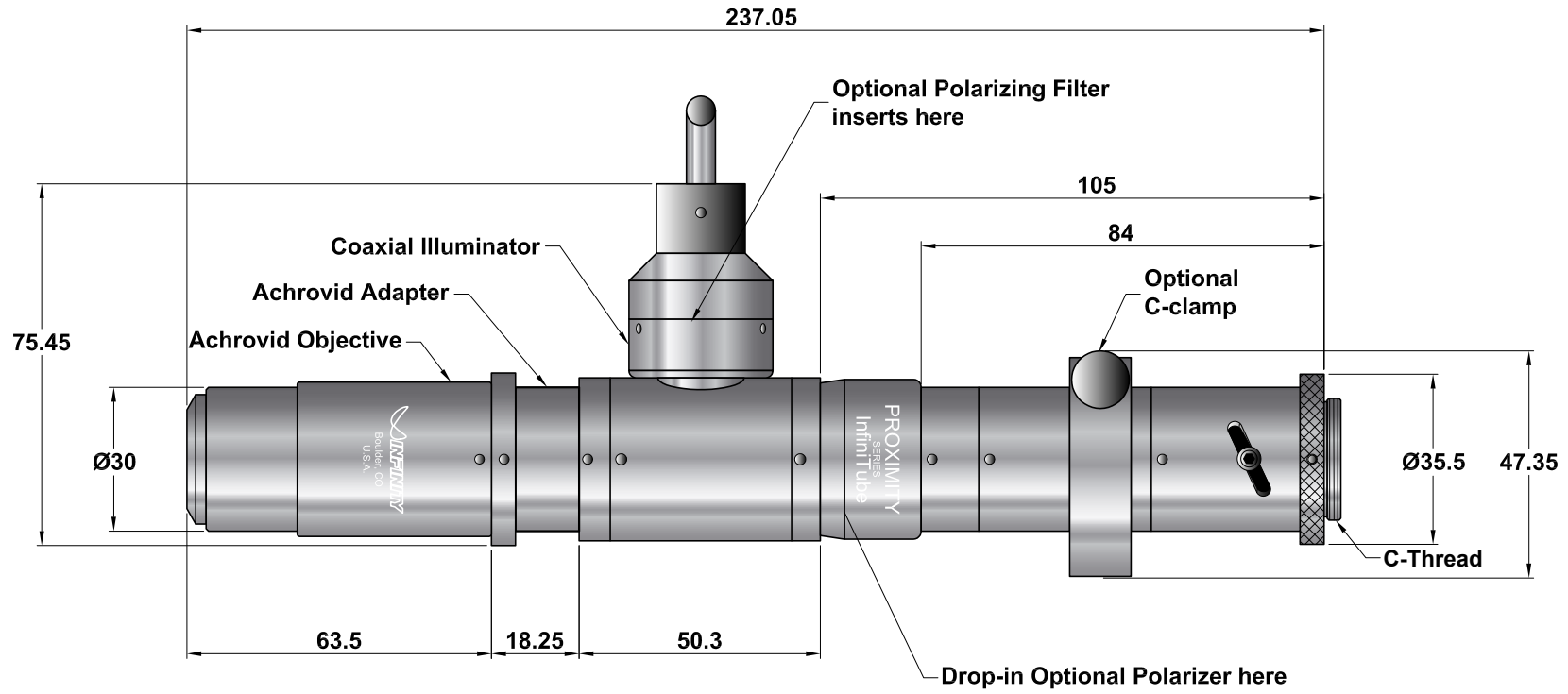
Modified: 02/01/05 MB

INFINITY Photo-Optical Company
2530 Frontier Ave., Boulder, CO 80301
303/440-4544 Fax 303/440-4144

INFINITUBE™ Z
(PROVIDES 1.25x FACTOR W/ZEISS ICS OBJECTIVES)

SIZE A	FSCM NO.	DWG NO.	REV C
SCALE NONE		SHEET 1 OF 1	

This drawing is for informational purposes only.
No other rights or privileges are granted or implied.



InfiniTube shown with Coaxial Illuminator, Achrovid Adapter and Achrovid Objective.

ALL DIM ARE mm
[inches] AND ARE FOR
REFERENCE ONLY AND
ARE SUBJECT TO
CHANGE.

INFINITY Photo-Optical Company
2530 Frontier Ave., Boulder, CO 80301
303/440-4544 Fax 303/440-4144

InfiniTube with Coaxial Illum.

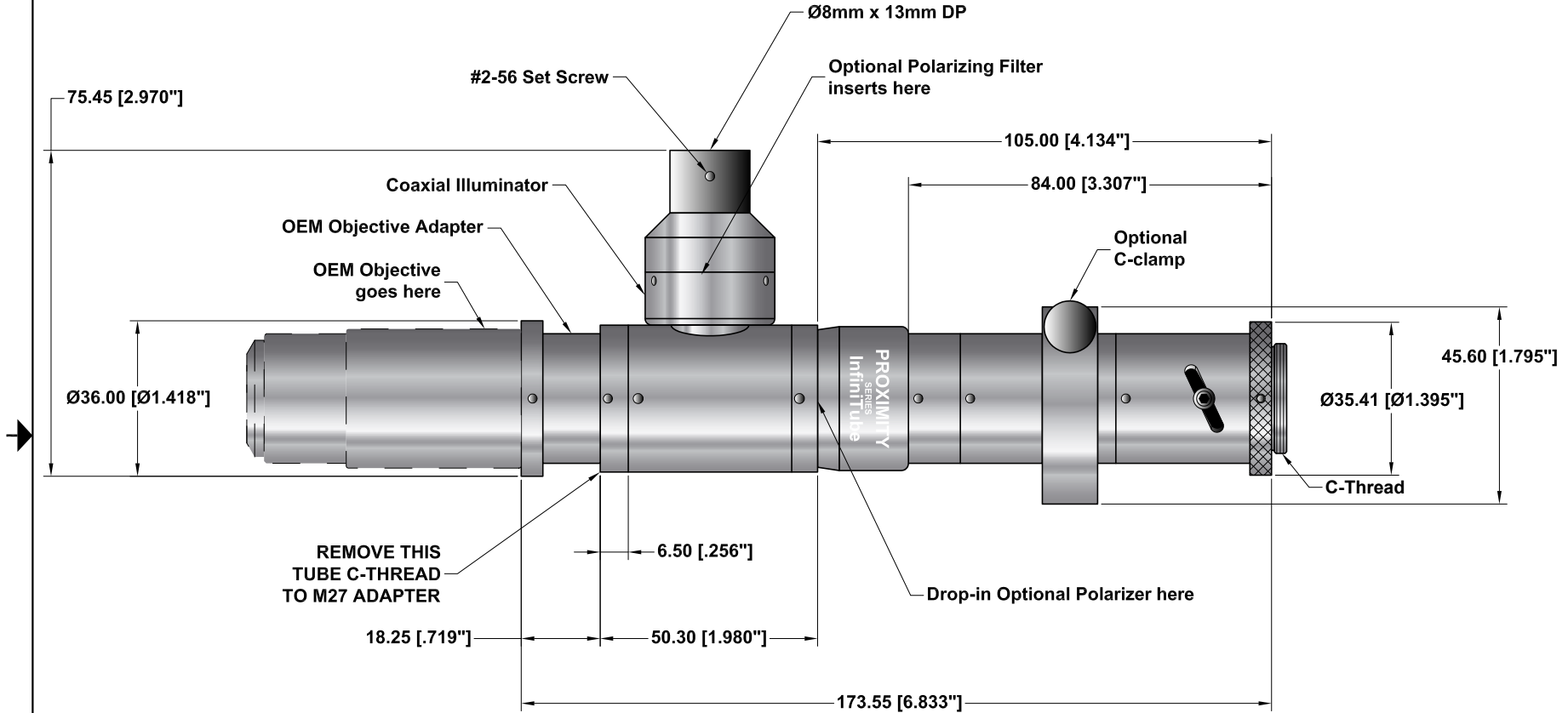
Date: 06/06/01 MB

SIZE B	FSCM NO.	DWG NO. -	REV B
-----------	----------	--------------	----------

Modified: 07/30/04 MB

SCALE NONE	-	SHEET 1 OF 1
---------------	---	--------------

This drawing is for informational purposes only.
No other rights or privileges are granted or implied.



InfinitiTube shown with Coaxial Illuminator, OEM Objective Adapter and OEM Objective.

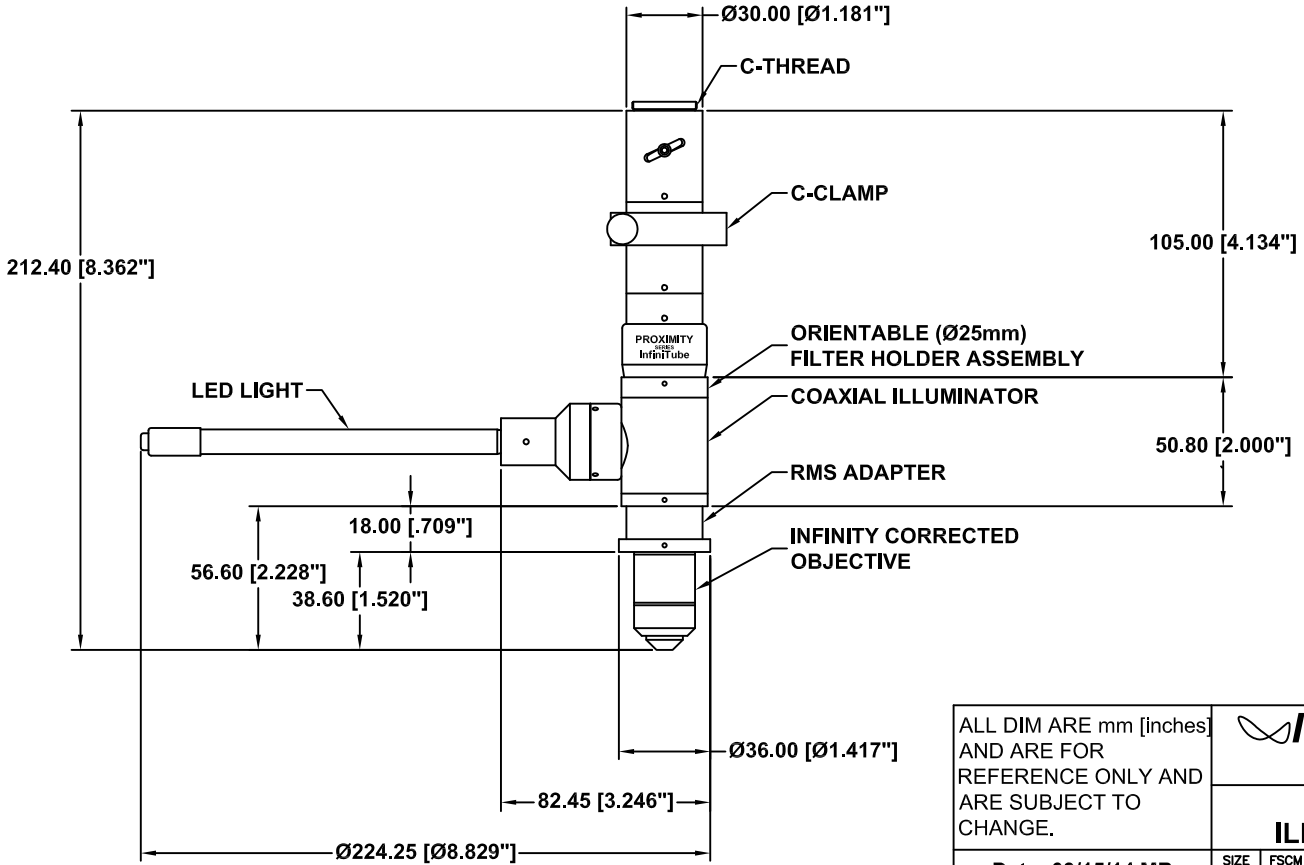
ALL DIM ARE mm
[inches] AND ARE FOR
REFERENCE ONLY AND
ARE SUBJECT TO
CHANGE.

INFINITY Photo-Optical Company
2530 Frontier Ave., Boulder, CO 80301
303/440-4544 Fax 303/440-4144

InfinitiTube with Basic Coaxial Illum.
for OEM Objective

Date: 06/06/01 MB	SIZE B	FSCM NO.	DWG NO. -	REV C
Modified: 07/30/04 MB	SCALE NONE	-	SHEET 1 OF 1	

REVISIONS				
ZONE	REV	DESCRIPTION	DATE	APPROVED



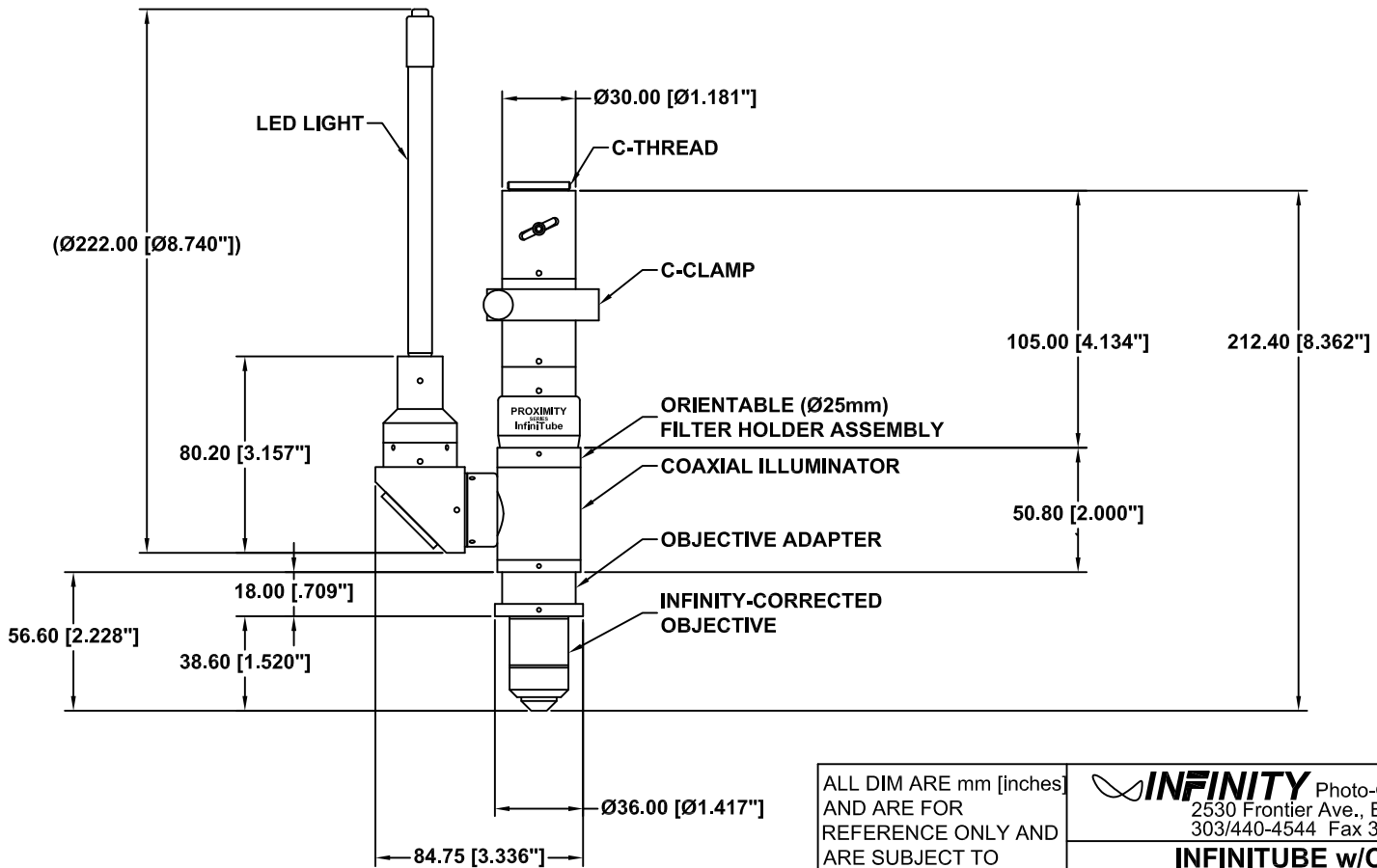
ALL DIM ARE mm [inches] AND ARE FOR REFERENCE ONLY AND ARE SUBJECT TO CHANGE.

INFINITY Photo-Optical Company
 2530 Frontier Ave., Boulder, CO 80301
 303/440-4544 Fax 303/440-4144

INFINITUBE w/COAXIAL ILLUMINATOR AND LED LIGHT

Date: 09/15/14 MB	SIZE B	FSCM NO.	DWG NO. -	REV -
Modified:	SCALE NONE	-	SHEET 1 OF 1	

REVISIONS				
ZONE	REV	DESCRIPTION	DATE	APPROVED



ALL DIM ARE mm [inches] AND ARE FOR REFERENCE ONLY AND ARE SUBJECT TO CHANGE.

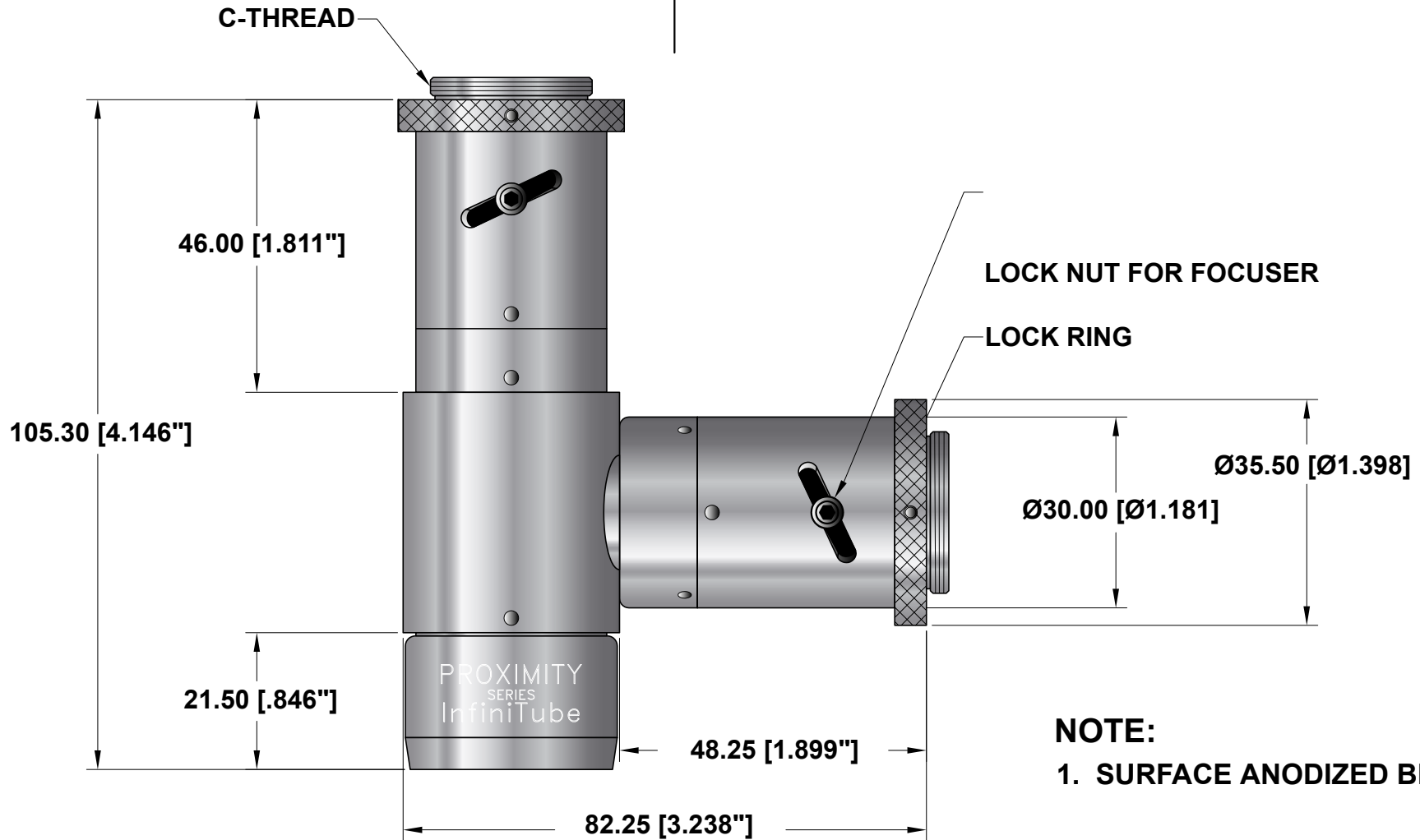
INFINITY Photo-Optical Company
 2530 Frontier Ave., Boulder, CO 80301
 303/440-4544 Fax 303/440-4144

INFINITUBE w/COAXIAL ILLUMINATOR AND RA LED LIGHT

Date: 09/15/14 MB	SIZE B	FSCM NO.	DWG NO. -	REV -
Modified:	SCALE NONE	-	SHEET 1 OF 1	

This drawing is for informational purposes only.
No other rights or privileges are granted or implied.

REVISIONS				
ZONE	REV	DESCRIPTION	DATE	APPROVED



ALL DIM ARE mm
[inches] AND ARE FOR
REFERENCE ONLY AND
ARE SUBJECT TO
CHANGE.

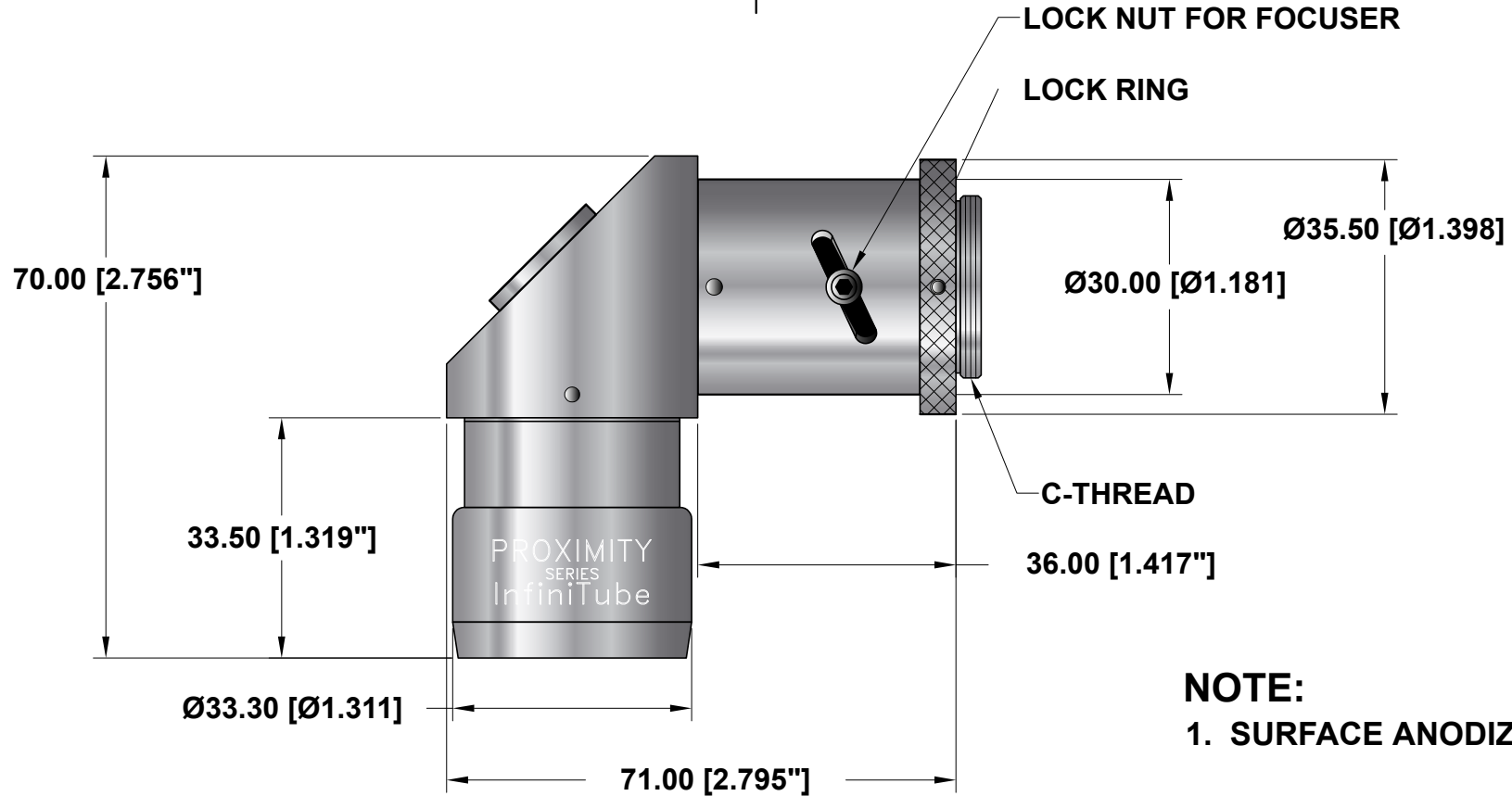
INFINITY Photo-Optical Company
2530 Frontier Ave., Boulder, CO 80301
303/440-4544 Fax 303/440-4144

INFINITUBE DUAL PORT

Date: 07/29/04 MB	SIZE A	FSCM NO.	DWG NO. 210 246	REV -
Modified:	SCALE NONE	-	SHEET 1 OF 1	

This drawing is for informational purposes only.
No other rights or privileges are granted or implied.

REVISIONS				
ZONE	REV	DESCRIPTION	DATE	APPROVED



NOTE:
1. SURFACE ANODIZED BLACK.

ALL DIM ARE mm
[inches] AND ARE FOR
REFERENCE ONLY AND
ARE SUBJECT TO
CHANGE.

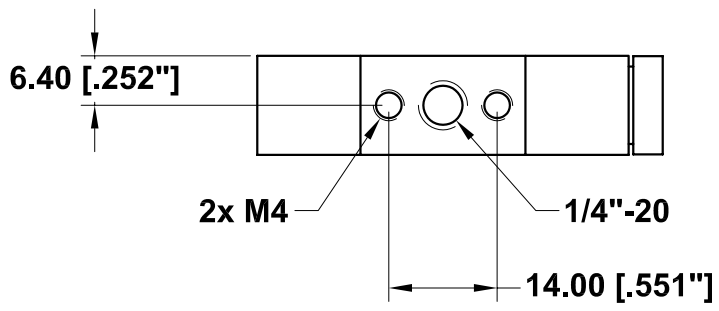
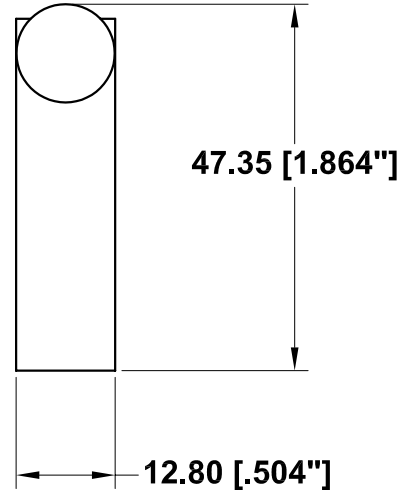
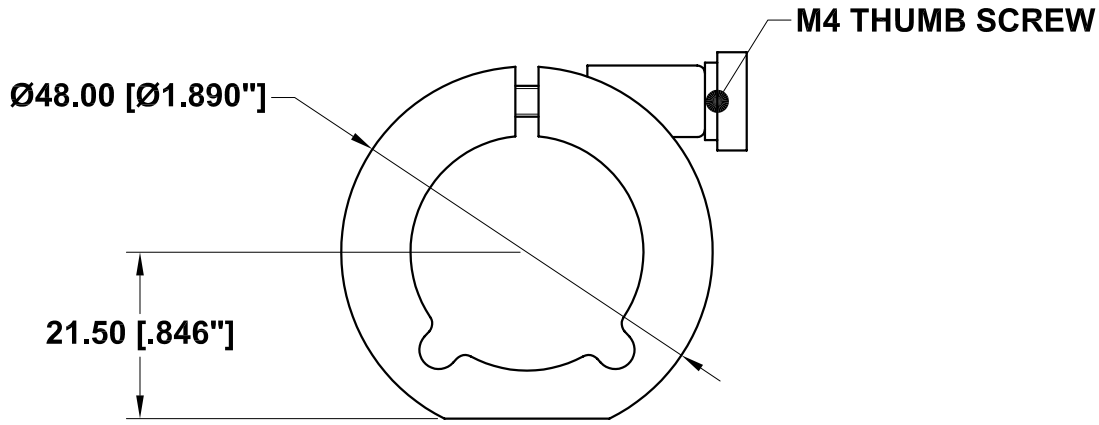
INFINITY Photo-Optical Company
2530 Frontier Ave., Boulder, CO 80301
303/440-4544 Fax 303/440-4144

INFINITUBE RIGHT ANGLE

Date: 07/29/04 MB	SIZE A	FSCM NO.	DWG NO. 210 202	REV -
Modified:	SCALE NONE	-	SHEET 1 OF 1	



REVISIONS				
ZONE	REV	DESCRIPTION	DATE	APPROVED



This drawing is for informational purposes only. No other rights or privileges are granted or implied.

ALL DIM ARE mm [inches] AND ARE FOR REFERENCE ONLY AND ARE SUBJECT TO CHANGE.

INFINITY Photo-Optical Company
 2530 Frontier Ave., Boulder, CO 80301
 303/440-4544 Fax 303/440-4144

SMALL MOUNTING CLAMP

Date: 03/19/01 MB
 Modified: 04/06/01 MB

SIZE A	FSCM NO.	DWG NO. 990 170	REV A
SCALE NONE	SHEET 1 of 1		



INFINITY PHOTO-OPTICAL COMPANY LIMITED WARRANTY

INFINITY PHOTO-OPTICAL COMPANY hereby warrants its products to be free from defects in workmanship or materials for the warranty period set forth below. INFINITY PHOTO-OPTICAL COMPANY, at its option, shall repair or replace the defective product without cost to the purchaser, and such repair or replacement shall be the full extent of this express limited warranty. INFINITY PHOTO-OPTICAL COMPANY shall not be liable for any other damages either direct or consequential.

This warranty is made to the original purchaser, and is effective only on new equipment purchased from INFINITY PHOTO-OPTICAL COMPANY, or a dealer authorized by INFINITY PHOTO-OPTICAL COMPANY to sell the product.

This warranty is valid only when the product is returned to the authorized dealer from whom it was purchased, or returned directly to INFINITY PHOTO-OPTICAL COMPANY, freight prepaid, with proof of date of purchase.

This warranty does not extend to any defect, malfunction or failure caused by misuse, abuse or the use of the product with equipment for which it may not have been intended. Any unauthorized repair voids this warranty.

The warranty period for all products manufactured by INFINITY PHOTO-OPTICAL COMPANY is five (5) years from date of original purchase. Parts or components made or sourced from other manufacturers shall be solely covered by that manufacturer's warranty.

The warranty contained herein is the only warranty made by INFINITY PHOTO-OPTICAL COMPANY. Any implied warranty of merchantability and/or fitness for a particular purpose is expressly excluded from this warranty. INFINITY PHOTO-OPTICAL COMPANY shall not be liable for any expense, loss, incidental or consequential damages which may arise in connection with the use of this equipment. Recovery under this warranty is limited to repair or replacement of the equipment as provided above.

INFINITY PHOTO-OPTICAL COMPANY reserves the right to modify designs, equipment and accessories without notice.